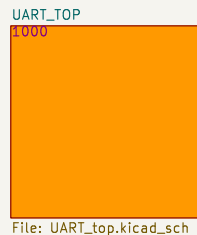


BE-IIS-HAT++MODBUS-I2C-Rev.B

Brechel Electronic

Industrie Interface Solutions

www.be-iis.eu



Brechel Electronic
Industrial Interface Solutions
Designed by Philipp Brechel (Germany)
www.be-iis.eu
contact@be-iis.eu

Sheet: /
File: BRECHEL_HAT_UART.kicad_sch

Title: Pi-HAT+: UART

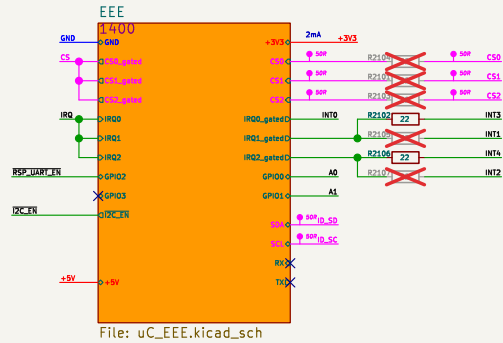
Size: A4 Date: 2026-03-25

KiCad E.D.A. 9.0.7

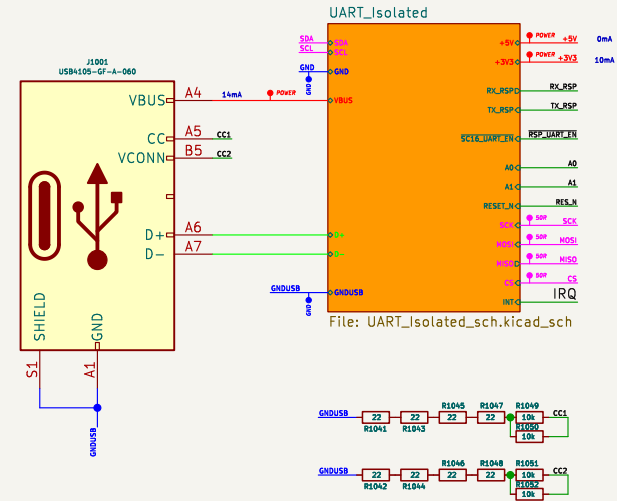
Rev: B

Id: 1/7

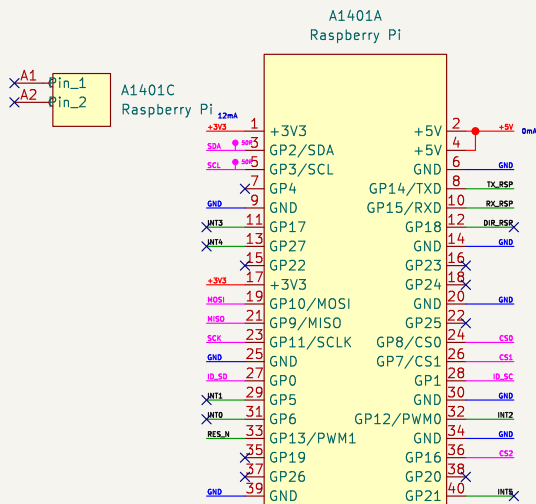
HAT+ EEprom



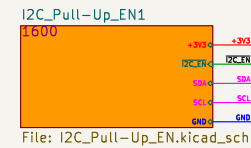
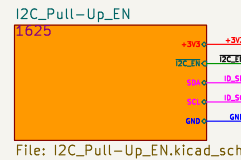
UART



Pi Pinout



I2C Pullups



Brechel Electronic
Industrial Interface Solutions
 Designed by Philipp Brechel (Germany)
www.be-iis.eu
contact@be-iis.eu

Sheet: /UART_TOP/
 File: UART_top.kicad_sch

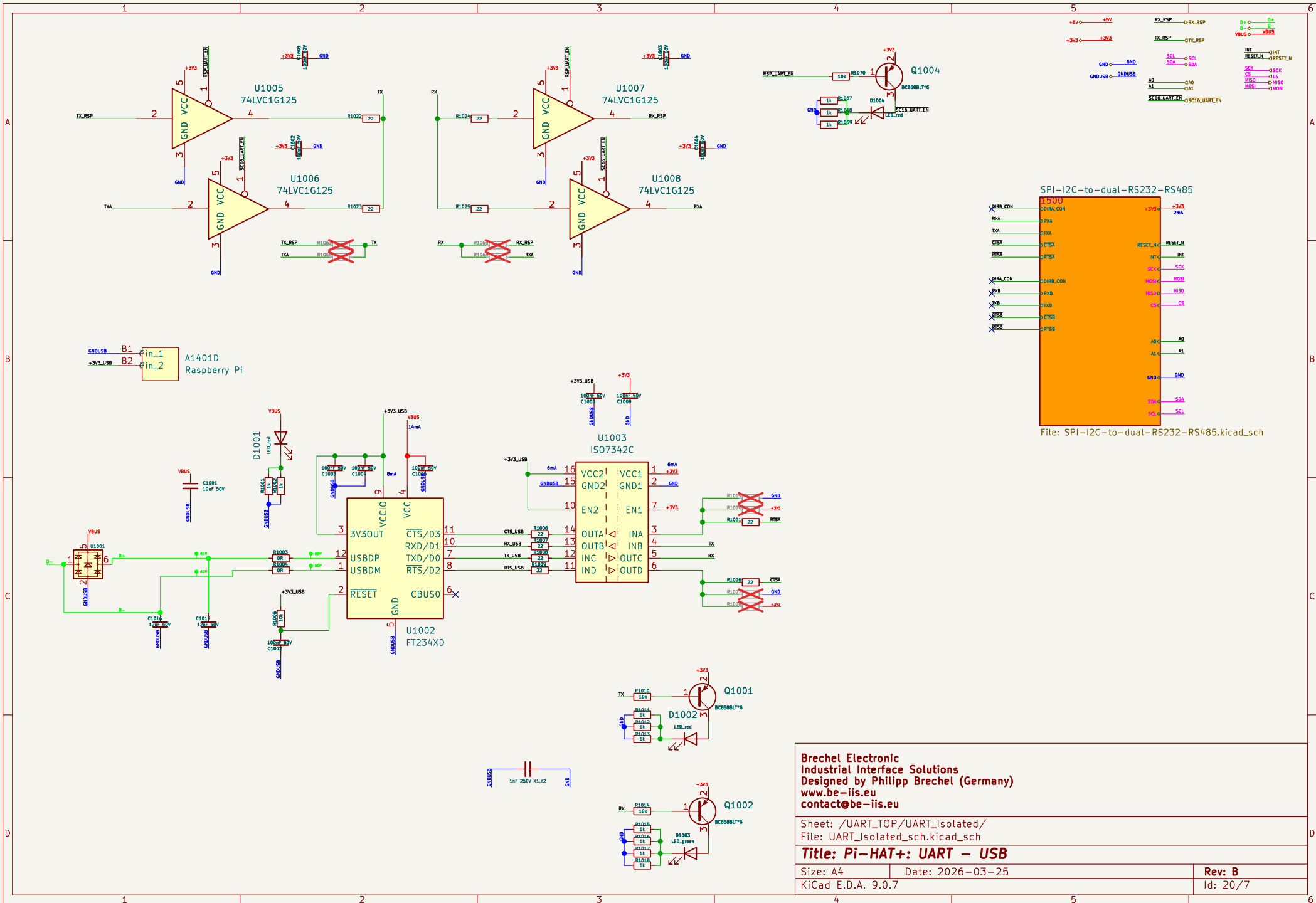
Title: Pi-HAT+: UART

Size: A4 Date: 2026-03-25

KiCad E.D.A. 9.0.7

Rev: B

Id: 19/7



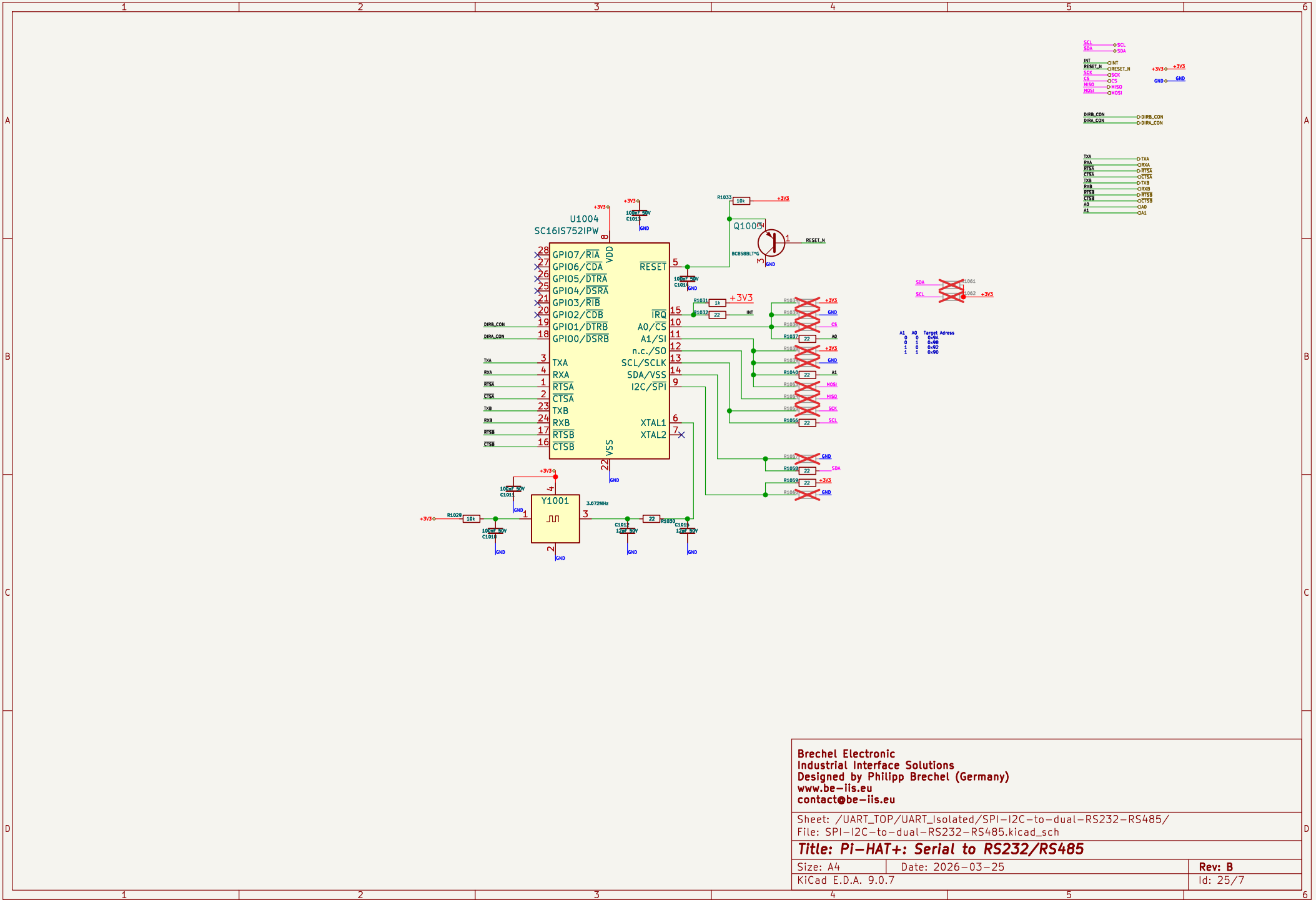
Brechel Electronic
 Industrial Interface Solutions
 Designed by Philipp Brechel (Germany)
www.be-iis.eu
 contact@be-iis.eu

Sheet: /UART_TOP/UART_Isolated/
 File: UART_Isolated_sch.kicad_sch

Title: Pi-HAT+: UART - USB

Size: A4 Date: 2026-03-25
 KiCad E.D.A. 9.0.7

Rev: B
 Id: 20/7



- SCL —> SCL
- SDA —> SDA
- INT —> INT
- RESET_N —> RESET_N
- CS —> CS
- MISO —> MISO
- MOSI —> MOSI
- DIRB_CON —> DIRB_CON
- DIRA_CON —> DIRA_CON
- TXA —> TXA
- RXA —> RXA
- RTSA —> RTSA
- CTSA —> CTSA
- TXB —> TXB
- RXB —> RXB
- RTSB —> RTSB
- CTSB —> CTSB
- A0 —> A0
- A1 —> A1



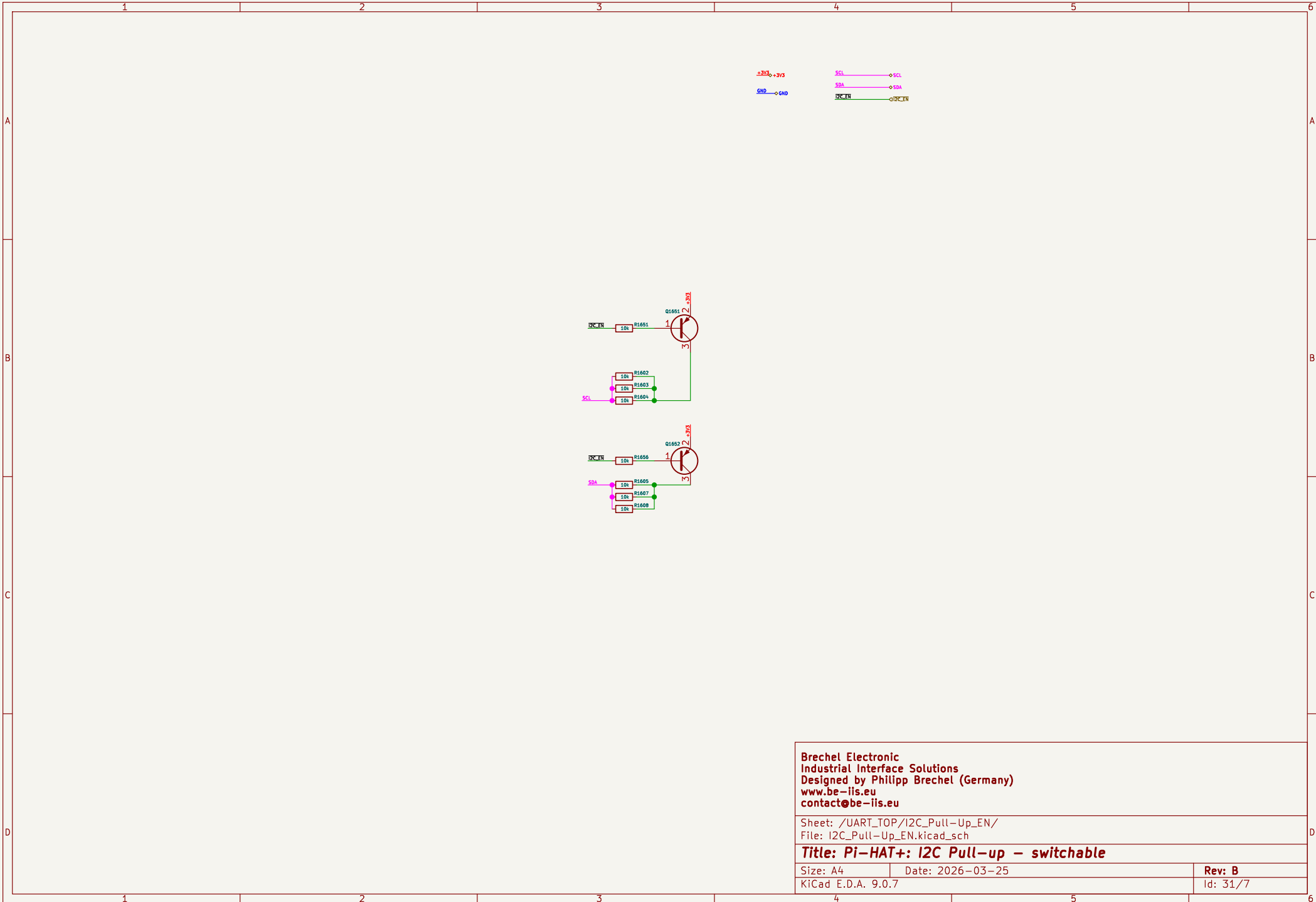
A1	A0	Target Address
0	0	0x01
0	1	0x02
1	0	0x03
1	1	0x04

Brechel Electronic
 Industrial Interface Solutions
 Designed by Philipp Brechel (Germany)
www.be-iis.eu
contact@be-iis.eu

Sheet: /UART_TOP/UART_Isolated/SPI-I2C-to-dual-RS232-RS485/
 File: SPI-I2C-to-dual-RS232-RS485.kicad_sch

Title: Pi-HAT+: Serial to RS232/RS485

Size: A4	Date: 2026-03-25	Rev: B
KiCad E.D.A. 9.0.7		Id: 25/7

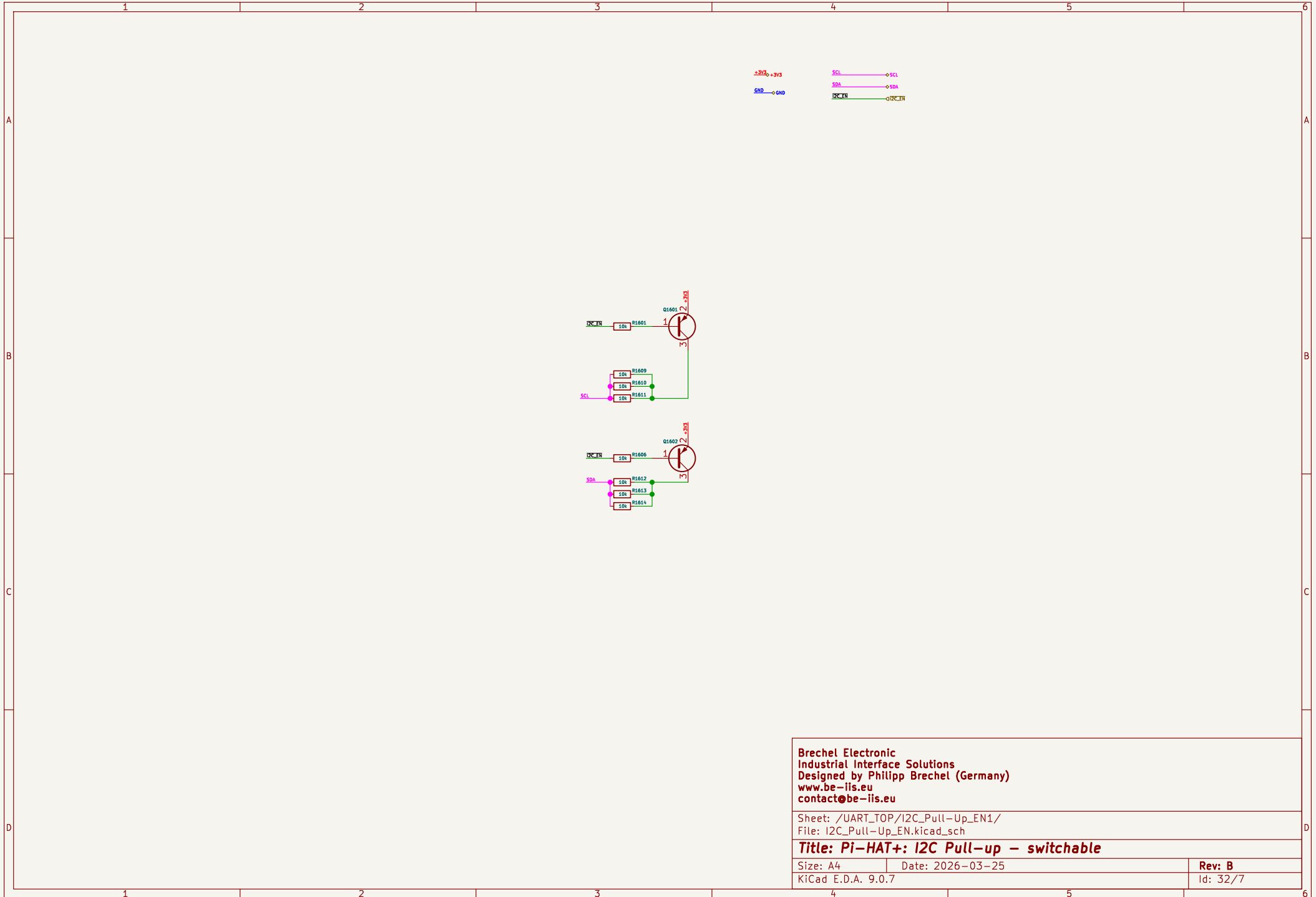


Brechel Electronic
 Industrial Interface Solutions
 Designed by Philipp Brechel (Germany)
www.be-iis.eu
contact@be-iis.eu

Sheet: /UART_TOP/I2C_Pull-Up_EN/
 File: I2C_Pull-Up_EN.kicad_sch

Title: Pi-HAT+: I2C Pull-up – switchable

Size: A4	Date: 2026-03-25	Rev: B
KiCad E.D.A. 9.0.7		Id: 31/7



Brechel Electronic
 Industrial Interface Solutions
 Designed by Philipp Brechel (Germany)
 www.be-iis.eu
 contact@be-iis.eu

Sheet: /UART_TOP/I2C_Pull-Up_EN1/
 File: I2C_Pull-Up_EN.kicad_sch

Title: Pi-HAT+: I2C Pull-up - switchable

Size: A4	Date: 2026-03-25	Rev: B
KiCad E.D.A. 9.0.7		Id: 32/7