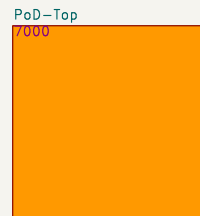


BE-IIS-HAT++MODBUS-I2C-Rev.B

Brechel Electronic

Industrie Interface Solutions

www.be-iis.eu



File: PoD-Top.kicad_sch

Brechel Electronic
Industrial Interface Solutions
Designed by Philipp Brechel (Germany)
www.be-iis.eu
contact@be-iis.eu

Sheet: /
File: BRECHEL_HAT_PoSPE.kicad_sch

Title: Pi-HAT+: PoSPE

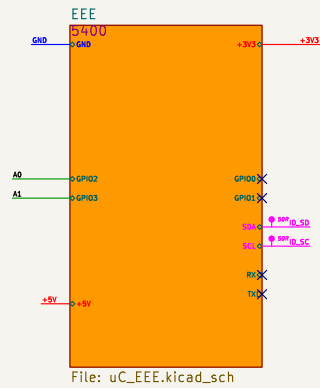
Size: A4 Date: 2026-03-27

KiCad E.D.A. 9.0.7

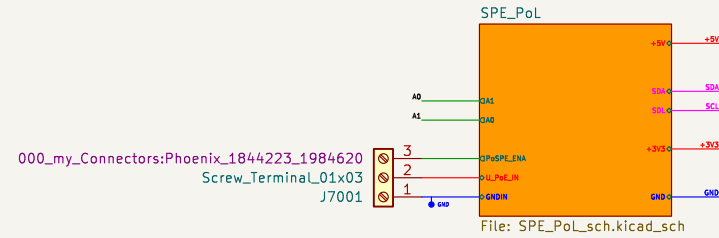
Rev: B

Id: 1/4

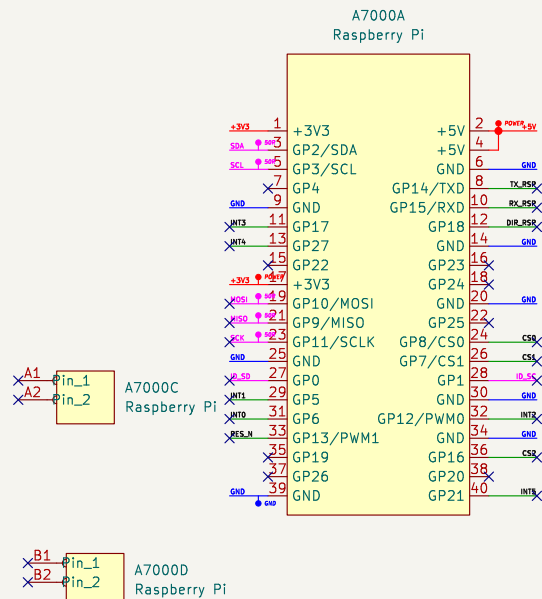
HAT+ EEprom



PoSPE



Pi Pinout



Brechel Electronic
Industrial Interface Solutions
Designed by Philipp Brechel (Germany)
www.be-iis.eu
contact@be-iis.eu

Sheet: /PoD-Top/
 File: PoD-Top.kicad_sch

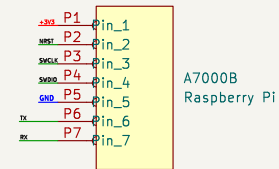
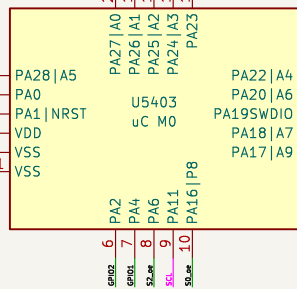
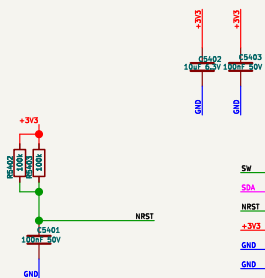
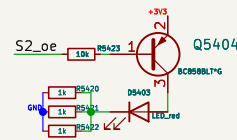
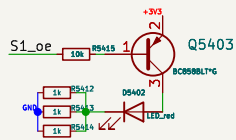
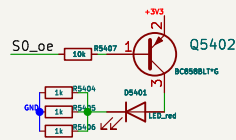
Title: Pi-HAT+: PoSPE

Size: A4 Date: 2026-03-27

KiCad E.D.A. 9.0.7

Rev: B

Id: 13/4

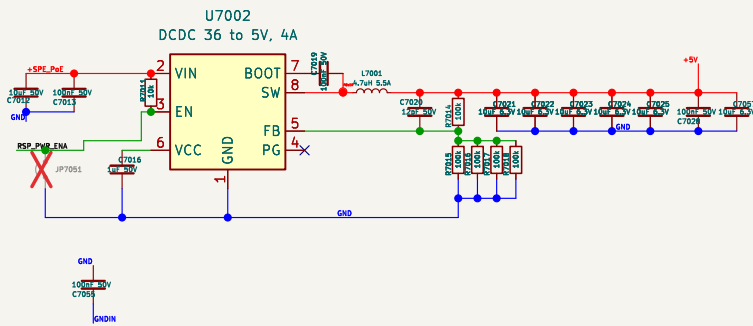
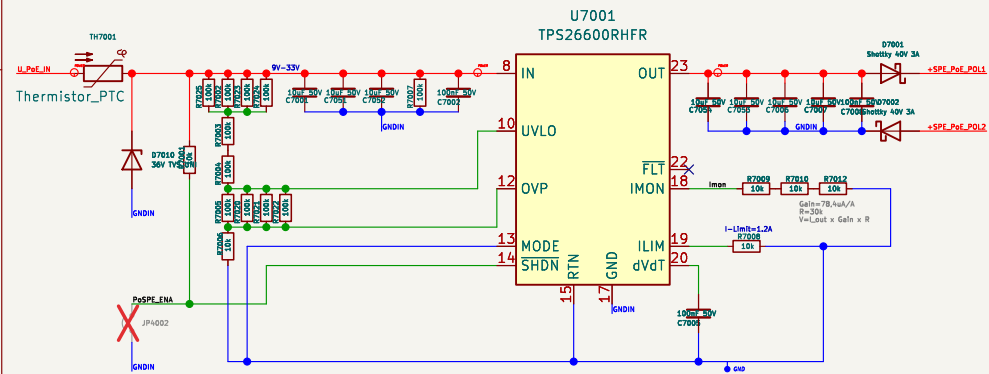
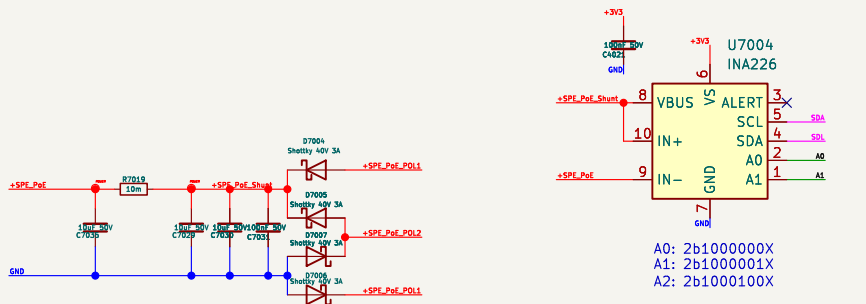
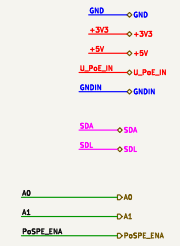
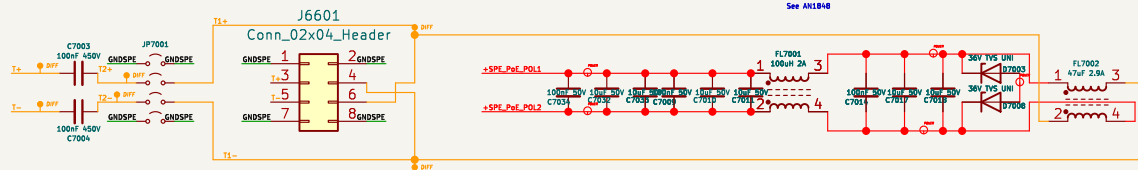


A7000B
Raspberry Pi

Brechel Electronic
Industrial Interface Solutions
Designed by Philipp Brechel (Germany)
www.be-iis.eu
contact@be-iis.eu

Sheet: /PoD-Top/EEE/
File: uC_EEE.kicad_sch

Title:	
Size: A4	Date: 2026-03-27
KiCad E.D.A. 9.0.7	Rev: B
	Id: 2/4



Brechel Electronic
Industrial Interface Solutions
 Designed by Philipp Brechel (Germany)
www.be-iis.eu
contact@be-iis.eu

Sheet: /PoD-Top/SPE_PoL/
 File: SPE_PoL_sch.kicad_sch

Title: Pi-HAT+ PoSPW

Size: A4 Date: 2026-03-27
 KiCad E.D.A. 9.0.7

Rev: B
 Id: 7/4