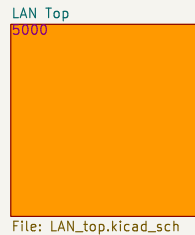


# BE-IIS-HAT++LAN-Rev.B

## Brechel Electronic

### Industrie Interface Solutions

[www.be-iis.eu](http://www.be-iis.eu)



**Brechel Electronic**  
**Industrial Interface Solutions**  
**Designed by Philipp Brechel (Germany)**

Sheet: /  
File: BRECHEL\_HAT\_LAN.kicad\_sch

**Title: Pi-HAT+: LAN**

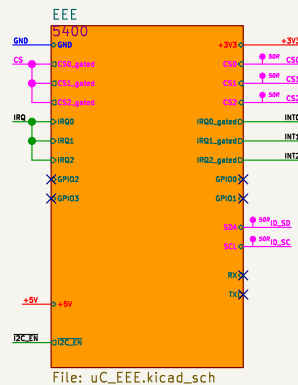
Size: A4 Date: 2026-3-25

KiCad E.D.A. 9.0.7

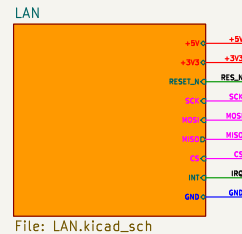
**Rev: B**

Id: 1/6

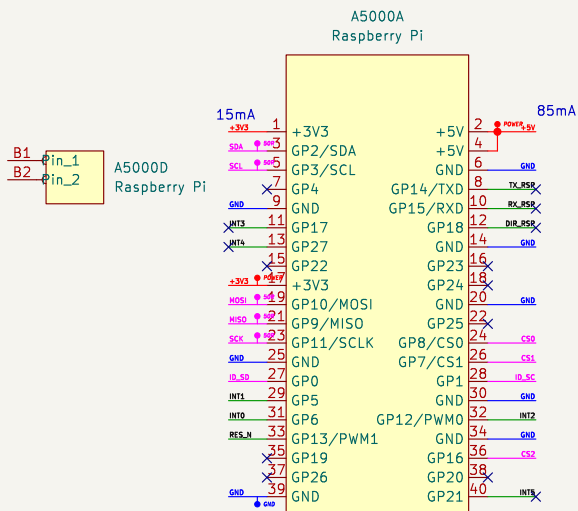
# HAT+ EEprom



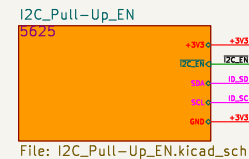
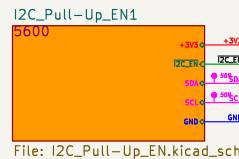
# LAN



# Pi Pinout



# Pul-ups



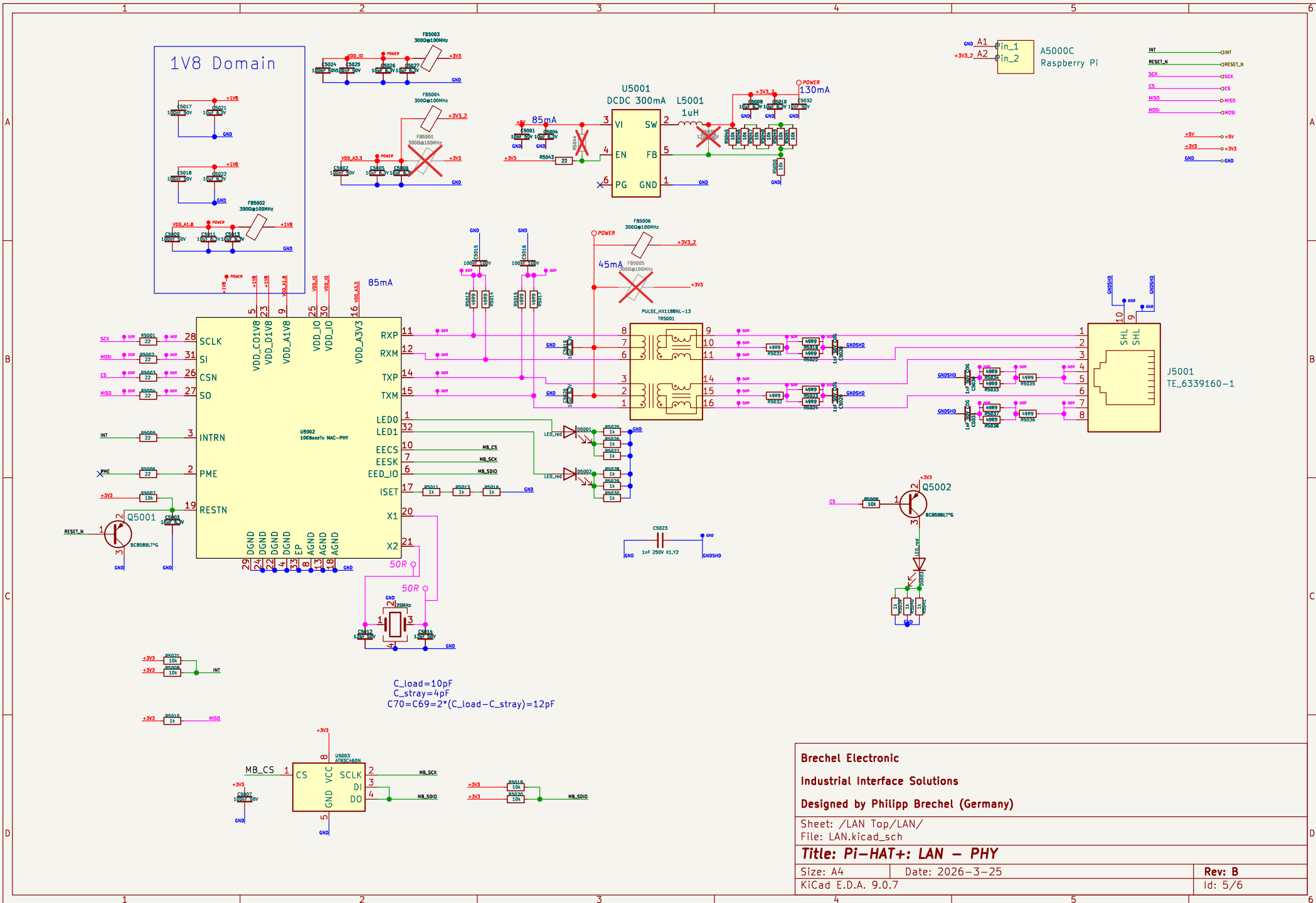
**Brechel Electronic**  
**Industrial Interface Solutions**  
**Designed by Philipp Brechel (Germany)**

Sheet: /LAN Top/  
 File: LAN\_top.kicad\_sch

**Title: Pi-HAT+: LAN**

Size: A4 Date: 2026-3-25  
 KiCad E.D.A. 9.0.7

**Rev: B**  
 Id: 10/6



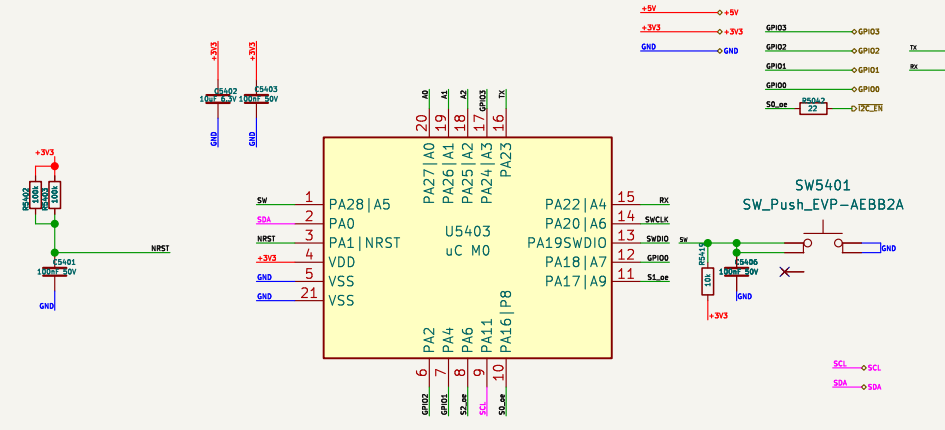
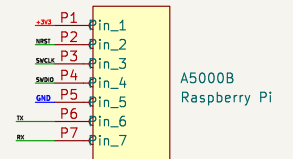
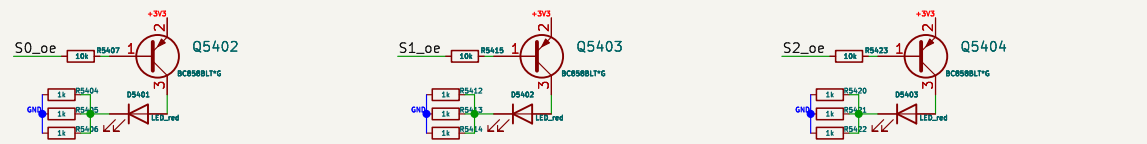
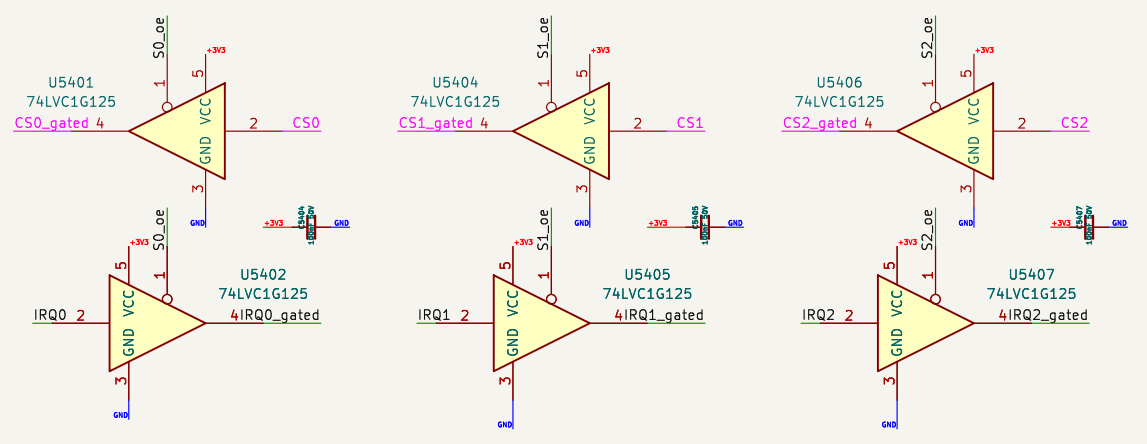
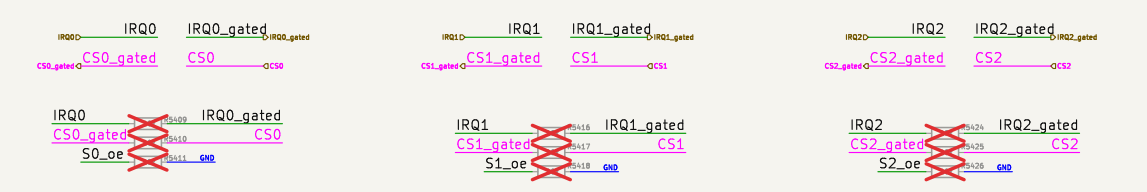
**Brechel Electronic**  
**Industrial Interface Solutions**  
**Designed by Philipp Brechel (Germany)**

Sheet: /LAN Top/LAN/  
 File: LAN.kicad\_sch

**Title: Pi-HAT+: LAN - PHY**

Size: A4 Date: 2026-3-25  
 KiCad E.D.A. 9.0.7

Rev: B  
 Id: 5/6

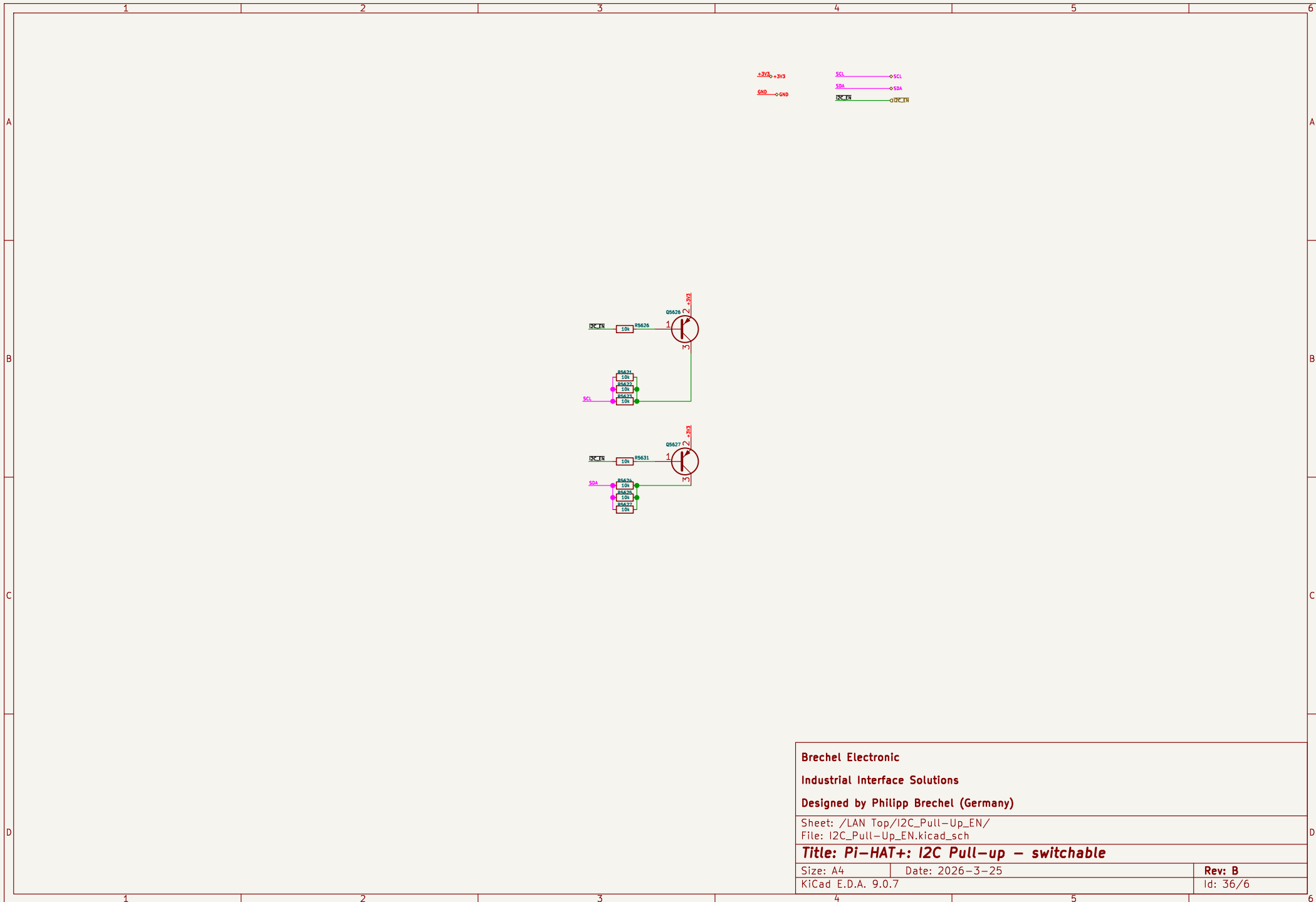


**Brechel Electronic**  
 Industrial Interface Solutions  
 Designed by Philipp Brechel (Germany)

Sheet: /LAN Top/EEE/  
 File: uC\_EEE.kicad\_sch

**Title: Pi-HAT+: EEPROM-Emulation and SPI configuration**

Size: A4	Date: 2026-3-25
KiCad E.D.A. 9.0.7	Rev: B Id: 16/6

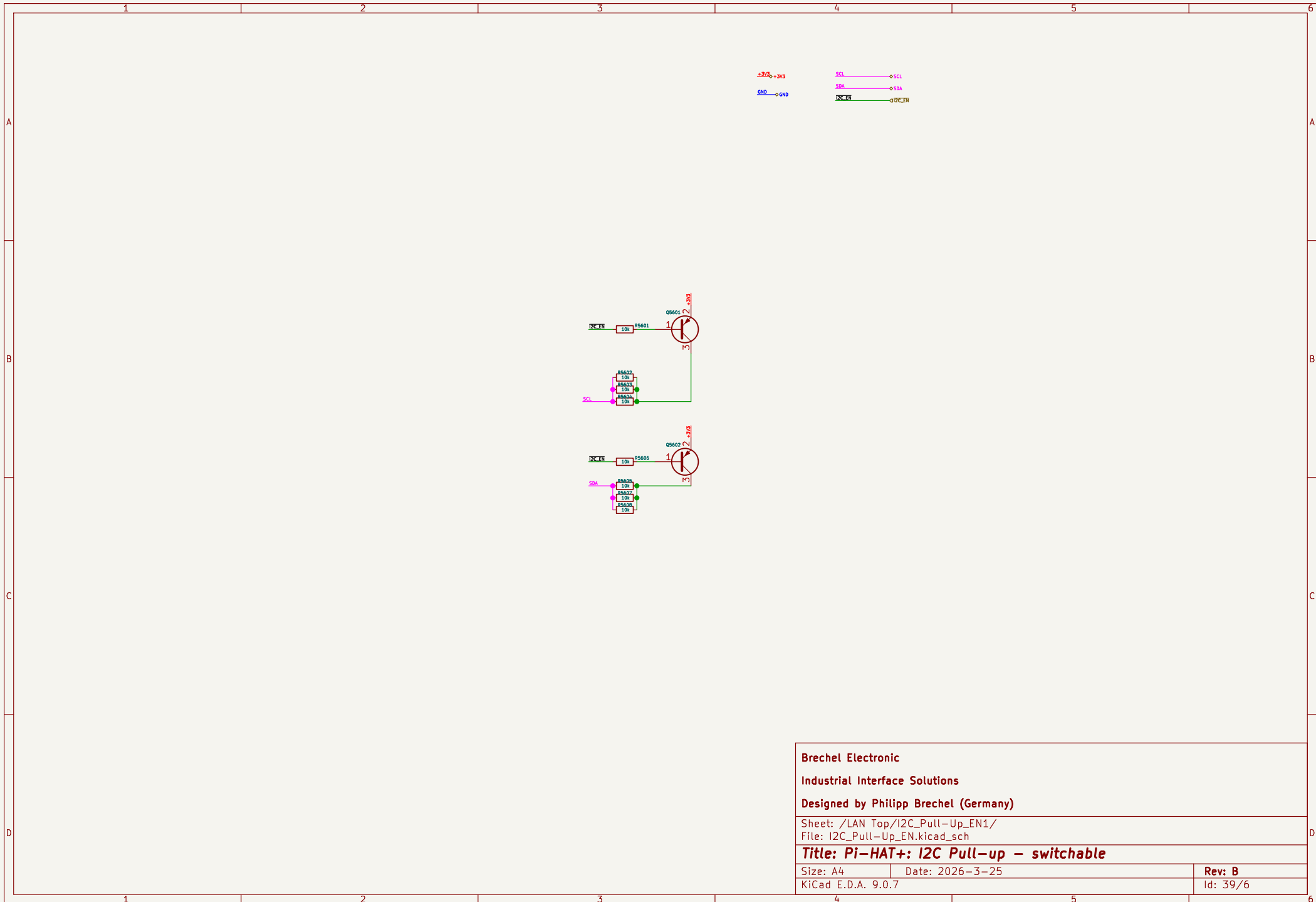


**Brechel Electronic**  
**Industrial Interface Solutions**  
**Designed by Philipp Brechel (Germany)**

Sheet: /LAN Top/I2C\_Pull-Up\_EN/  
 File: I2C\_Pull-Up\_EN.kicad\_sch

**Title: Pi-HAT+: I2C Pull-up – switchable**

Size: A4	Date: 2026-3-25	Rev: B
KiCad E.D.A. 9.0.7		Id: 36/6



**Brechel Electronic**  
**Industrial Interface Solutions**  
**Designed by Philipp Brechel (Germany)**

Sheet: /LAN Top/I2C\_Pull-Up\_EN1/  
 File: I2C\_Pull-Up\_EN.kicad\_sch

**Title: Pi-HAT+: I2C Pull-up – switchable**

Size: A4	Date: 2026-3-25	Rev: B
KiCad E.D.A. 9.0.7		Id: 39/6