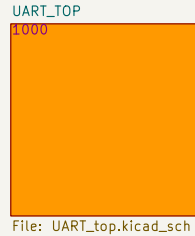


BE-IIS-HAT++MODBUS-I2C-Rev.B

Brechel Electronic

Industrie Interface Solutions

www.be-iis.eu



Brechel Electronic
Industrial Interface Solutions
Designed by Philipp Brechel (Germany)
www.be-iis.eu
contact@be-iis.eu

Sheet: /
File: BRECHEL_HAT_UART.kicad_sch

Title: Pi-HAT+: UART

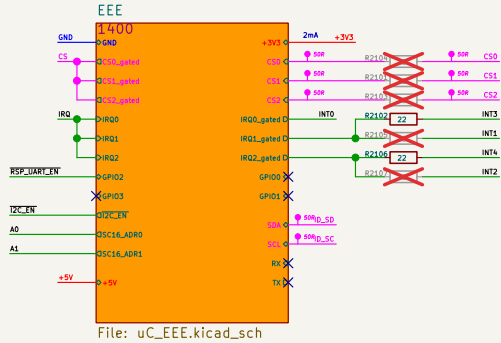
Size: A4 Date: 2026-03-25

KiCad E.D.A. 10.0.1

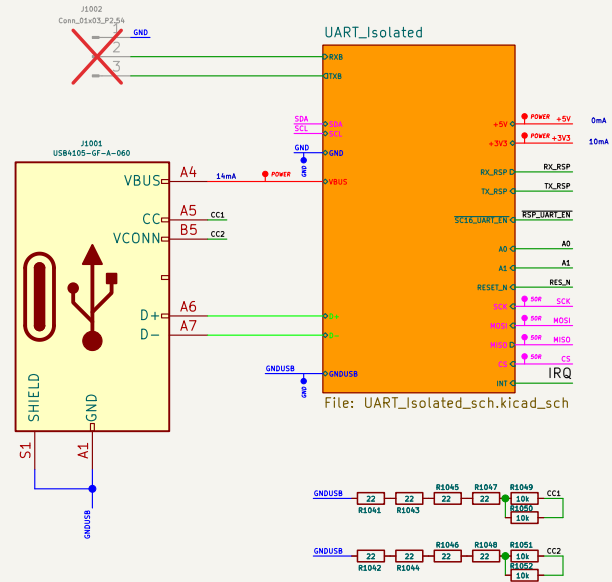
Rev: B - final

Id: 1/7

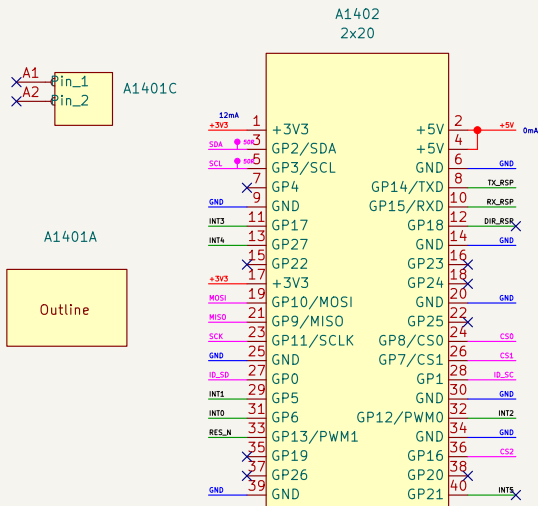
HAT+ EEprom



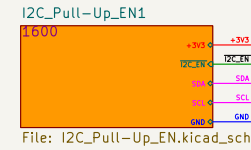
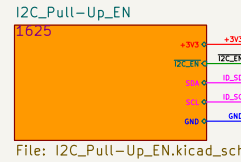
UART



Pi Pinout



I2C Pullups



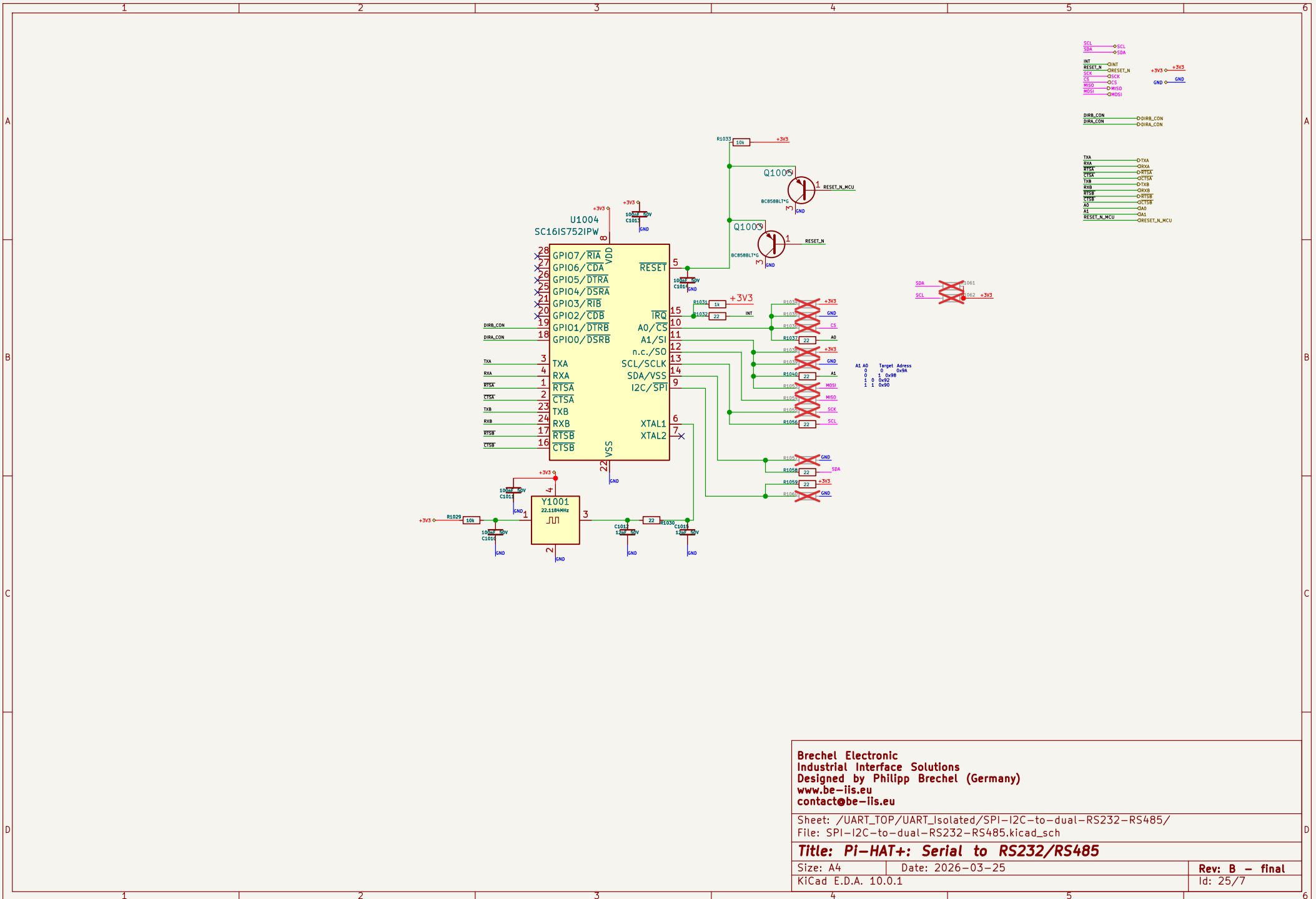
Brechel Electronic
 Industrial Interface Solutions
 Designed by Philipp Brechel (Germany)
www.be-iis.eu
contact@be-iis.eu

Sheet: /UART_TOP/
 File: UART_top.kicad_sch

Title: Pi-HAT+: UART

Size: A4 Date: 2026-03-25
 KiCad E.D.A. 10.0.1

Rev: B - final
 Id: 19/7



- SCL — SCL
- SDA — SDA
- INT — INT
- RESET_M — QRESET_M
- CS — QCLK
- CS — QCLK
- MISO — QCS
- MOSI — QMISO
- DIRB_CON — DIRB_CON
- DIRA_CON — DIRA_CON
- TXA — QTXA
- RXA — QRXA
- RTSA — QRTSA
- CTSA — QCTSA
- TXB — QTXB
- RXB — QRXB
- RTSB — QRTSB
- CTSB — QCTSB
- A0 — QAD
- A1 — QAL
- RESET_M MCU — QRESET_M MCU

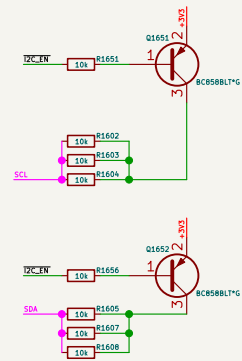
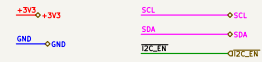
A1	A0	Target	Address
0	0	0	0x98
1	0	0	0x99
1	1	0	0x9A

Brechel Electronic
 Industrial Interface Solutions
 Designed by Philipp Brechel (Germany)
www.be-iis.eu
contact@be-iis.eu

Sheet: /UART_TOP/UART_Isolated/SPI-I2C-to-dual-RS232-RS485/
 File: SPI-I2C-to-dual-RS232-RS485.kicad_sch

Title: Pi-HAT+: Serial to RS232/RS485

Size: A4	Date: 2026-03-25	Rev: B - final
KiCad E.D.A. 10.0.1		Id: 25/77



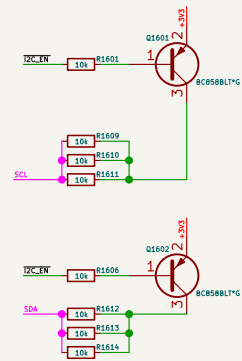
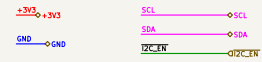
Brechel Electronic
Industrial Interface Solutions
 Designed by Philipp Brechel (Germany)
www.be-iis.eu
contact@be-iis.eu

Sheet: /UART_TOP/I2C_Pull-Up_EN/
 File: I2C_Pull-Up_EN.kicad_sch

Title: Pi-HAT+: I2C Pull-up - switchable

Size: A4 Date: 2026-03-25
 KiCad E.D.A. 10.0.1

Rev: B - final
 Id: 31/7



Brechel Electronic
Industrial Interface Solutions
 Designed by Philipp Brechel (Germany)
www.be-iis.eu
contact@be-iis.eu

Sheet: /UART_TOP/I2C_Pull-Up_EN1/
 File: I2C_Pull-Up_EN.kicad_sch

Title: Pi-HAT+: I2C Pull-up - switchable

Size: A4 Date: 2026-03-25

Rev: B - final

KiCad E.D.A. 10.0.1

Id: 32/7