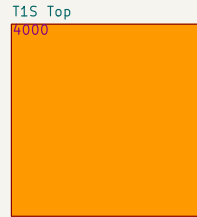


BE-IIS-HAT++T1S-Rev.B

Brechel Electronic

Industrie Interface Solutions

www.be-iis.eu



File: T1S_TOP.kicad_sch

Brechel Electronic
Industrial Interface Solutions
Designed by Philipp Brechel (Germany)
www.be-iis.eu
contact@be-iis.eu

Sheet: /
File: BRECHEL_HAT_T1S.kicad_sch

Title: Pi-HAT+: T1S

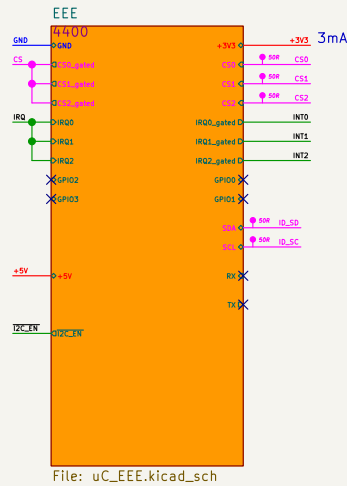
Size: A4 Date: 2026-03-25

KiCad E.D.A. 10.0.1

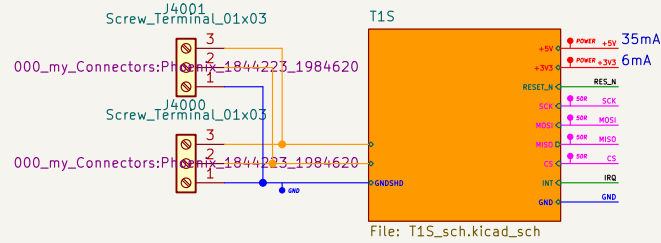
Rev: B - final

Id: 1/6

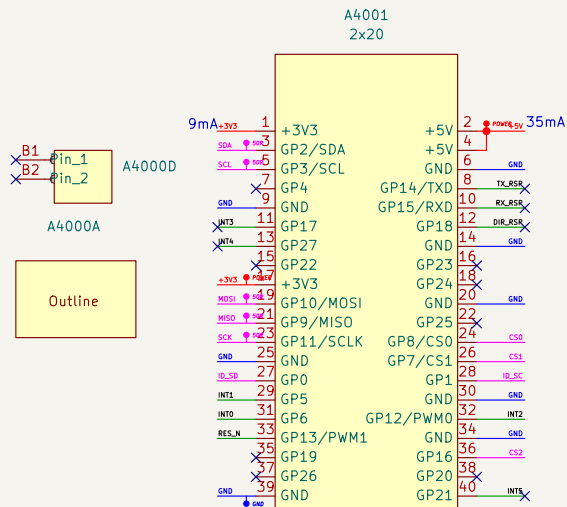
HAT+ EEprom



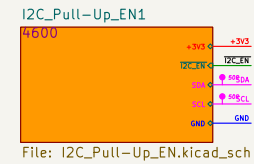
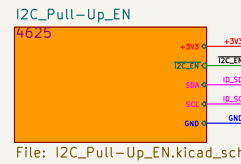
T1S



Pi Pinout



I2C Pullups



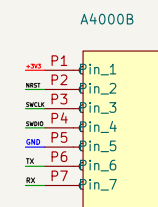
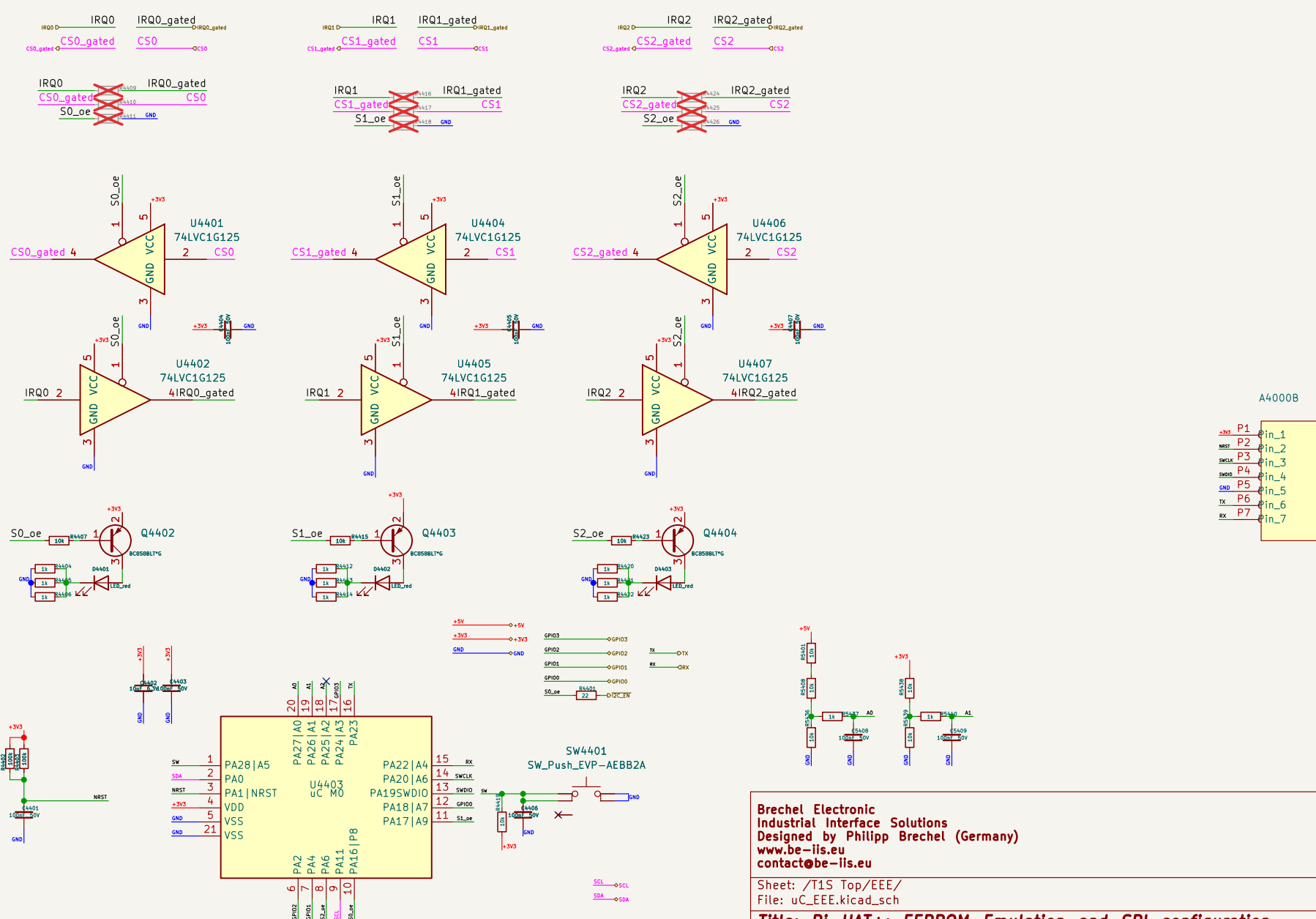
Brechel Electronic
Industrial Interface Solutions
 Designed by Philipp Brechel (Germany)
www.be-iis.eu
contact@be-iis.eu

Sheet: /T1S Top/
 File: T1S_TOP.kicad_sch

Title: Pi-HAT+: T1S

Size: A4 Date: 2026-03-25
 KiCad E.D.A. 10.0.1

Rev: B - final
 Id: 9/6

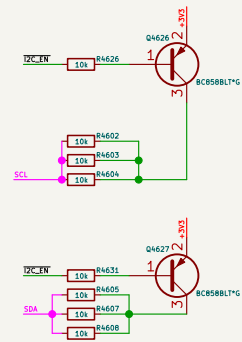
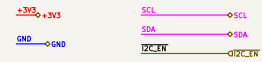


Brechel Electronic
 Industrial Interface Solutions
 Designed by Philipp Brechel (Germany)
 www.be-iis.eu
 contact@be-iis.eu

Sheet: /T1S Top/EEE/
 File: uC_EEE.kicad_sch

Title: Pi-HAT+; EEPROM-Emulation and SPI configuration

Size: A4 Date: 2026-03-25 Rev: B - final
 KiCad E.D.A. 10.0.1 Id: 14/6



Brechel Electronic
Industrial Interface Solutions
 Designed by Philipp Brechel (Germany)
www.be-iis.eu
contact@be-iis.eu

Sheet: /T1S Top/I2C_Pull-Up_EN/
 File: I2C_Pull-Up_EN.kicad_sch

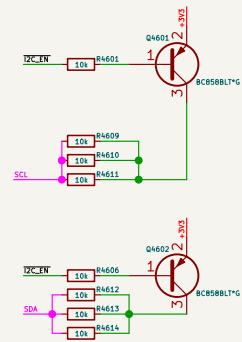
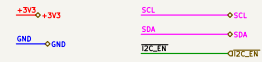
Title: Pi-HAT+: I2C Pull-up - switchable

Size: A4 Date: 2026-03-25

Rev: B - final

KiCad E.D.A. 10.0.1

Id: 34/6



Brechel Electronic
Industrial Interface Solutions
 Designed by Philipp Brechel (Germany)
www.be-iis.eu
contact@be-iis.eu

Sheet: /T1S Top/I2C_Pull-Up_EN1/
 File: I2C_Pull-Up_EN.kicad_sch

Title: Pi-HAT+: I2C Pull-up - switchable

Size: A4 Date: 2026-03-25
 KiCad E.D.A. 10.0.1

Rev: B - final
 Id: 40/6