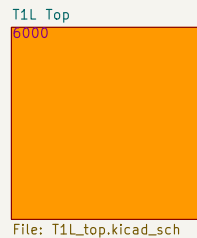


BE-IIS-HAT++MODBUS-I2C-Rev.B

Brechel Electronic

Industrie Interface Solutions

www.be-iis.eu



Brechel Electronic
Industrial Interface Solutions
Designed by Philipp Brechel (Germany)
www.be-iis.eu
contact@be-iis.eu

Sheet: /
File: BRECHEL_HAT_T1L.kicad_sch

Title: Pi-HAT+: T1L

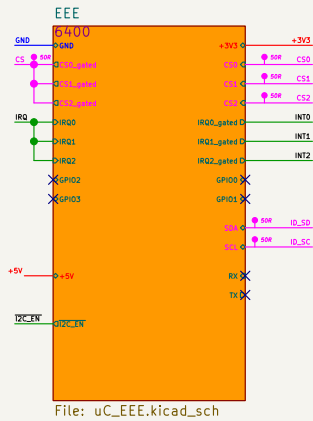
Size: A4 Date: 2026-02-07

KiCad E.D.A. 10.0.1

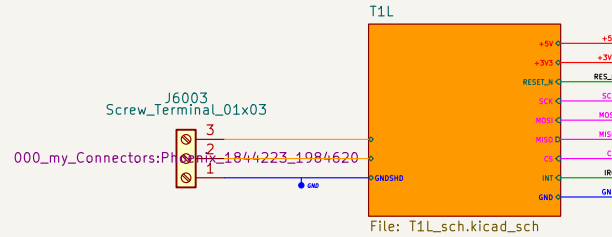
Rev: B - final

Id: 1/6

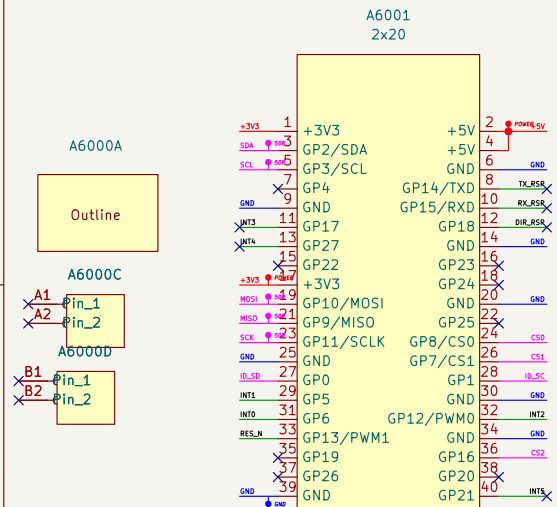
HAT+ EEprom



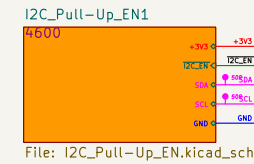
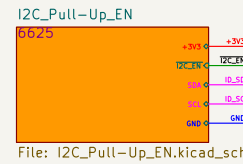
T1L



Pi Pinout



I2C-Pullups



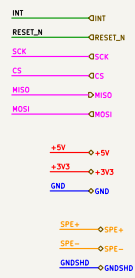
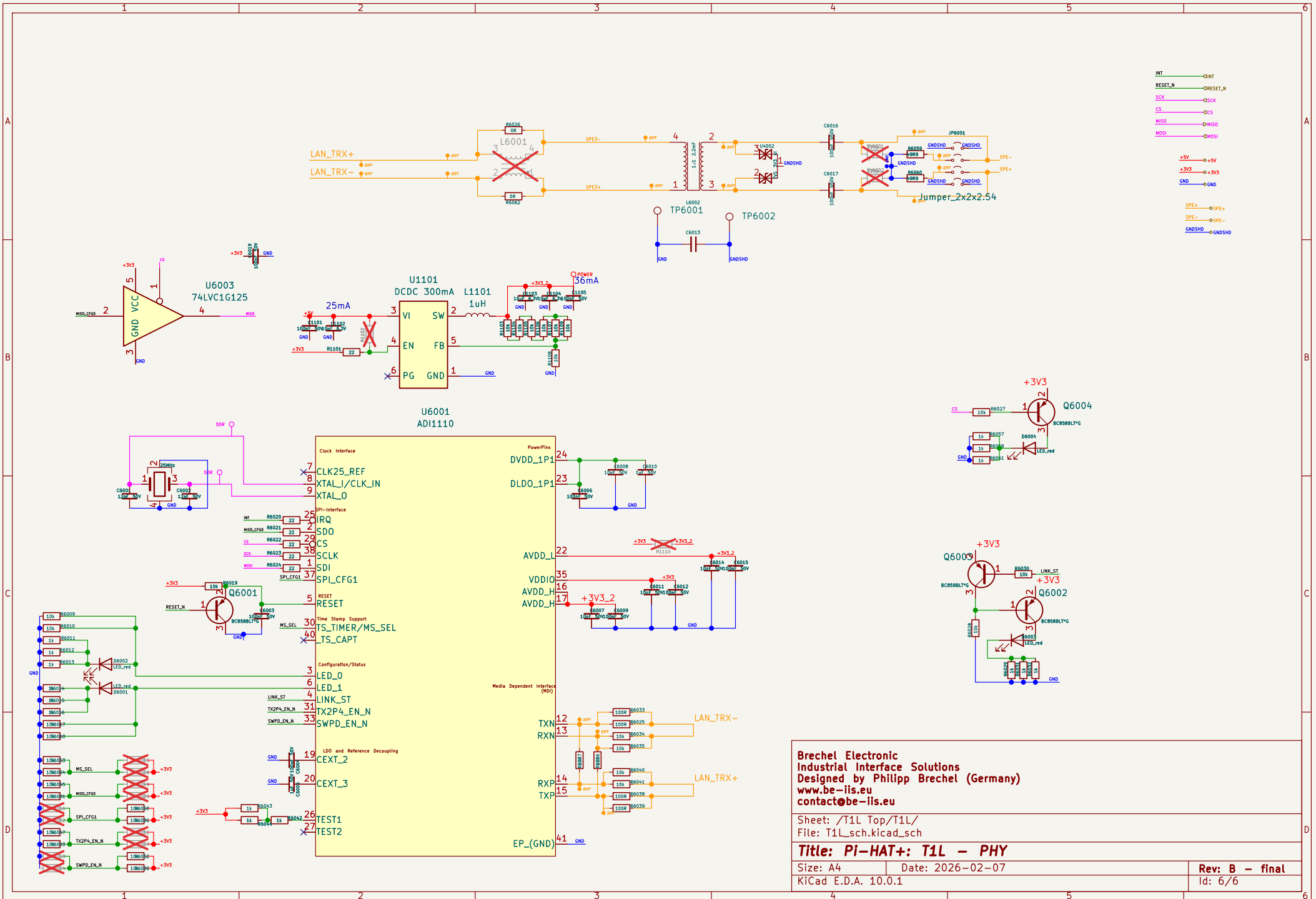
Brechel Electronic
Industrial Interface Solutions
 Designed by Philipp Brechel (Germany)
www.be-iis.eu
contact@be-iis.eu

Sheet: /T1L Top/
 File: T1L_top.kicad_sch

Title: Pi-HAT+: T1L

Size: A4 Date: 2026-02-07
 KiCad E.D.A. 10.0.1

Rev: B - final
 Id: 8/6



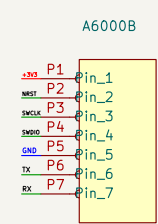
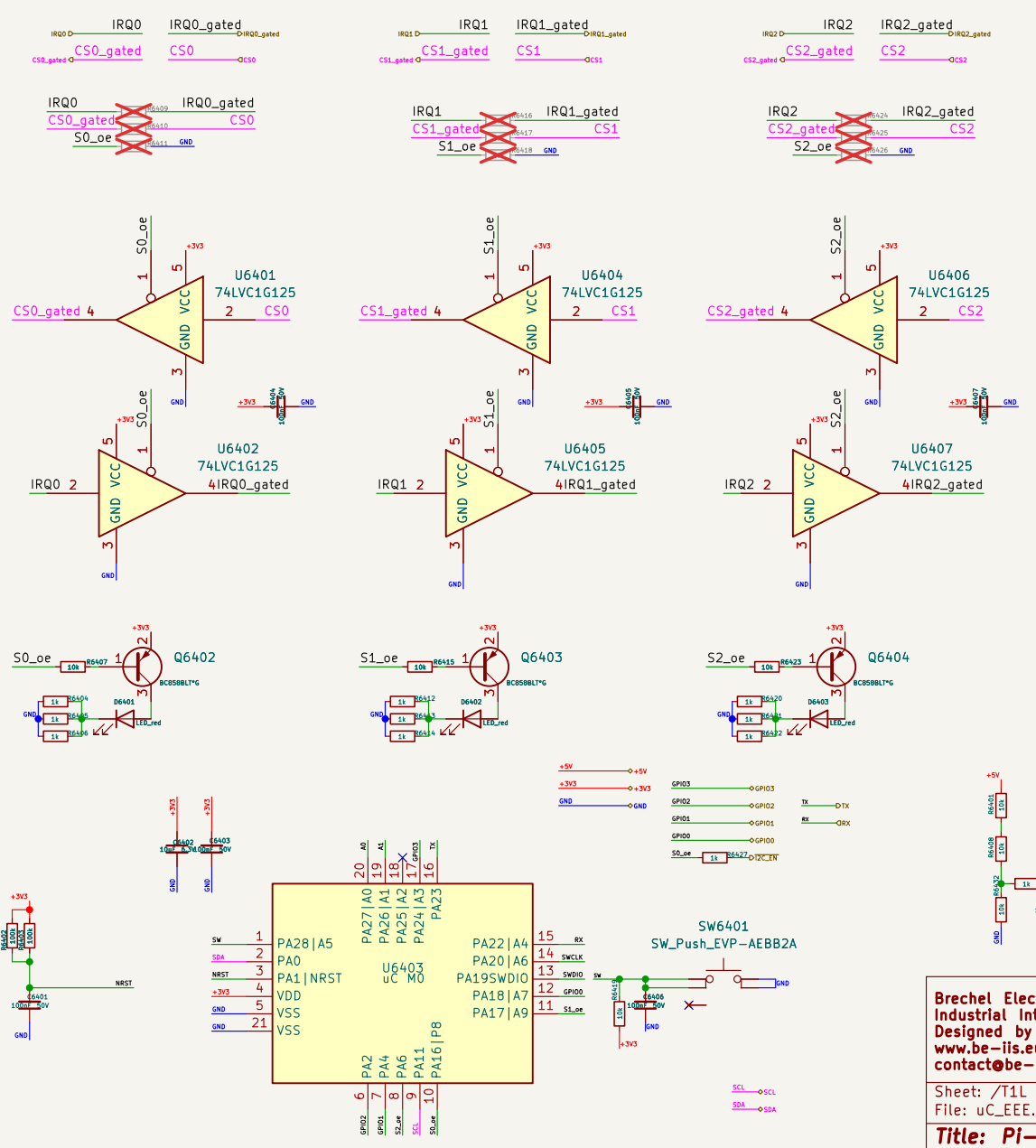
Brechel Electronic
Industrial Interface Solutions
 Designed by Philipp Brechel (Germany)
www.be-iis.eu
contact@be-iis.eu

Sheet: /T1L Top/T1L/
 File: T1L_sch.kicad.pcb

Title: Pi-HAT+; T1L - PHY

Size: A4 Date: 2026-02-07
 KiCad E.D.A. 10.0.1

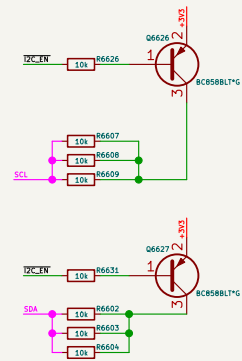
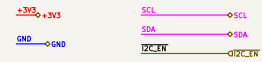
Rev: B - final
 Id: 6/6



Brechel Electronic
Industrial Interface Solutions
 Designed by Philipp Brechel (Germany)
www.be-iis.eu
contact@be-iis.eu

Sheet: /T1L Top/EEE/
 File: uC_EEE.kicad_sch

Title: Pi-HAT+; EEPROM-Emulation and SPI configuration	
Size: A4	Date: 2026-02-07
KiCad E.D.A. 10.0.1	Rev: B - final Id: 15/6



Brechel Electronic
Industrial Interface Solutions
 Designed by Philipp Brechel (Germany)
www.be-iis.eu
contact@be-iis.eu

Sheet: /T1L Top/I2C_Pull-Up_EN/
 File: I2C_Pull-Up_EN.kicad_sch

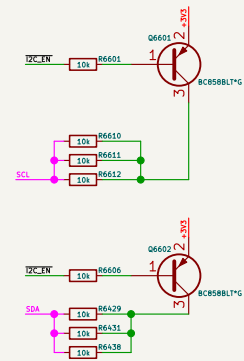
Title: Pi-HAT+: I2C Pull-up - switchable

Size: A4 Date: 2026-02-07

Rev: B - final

KiCad E.D.A. 10.0.1

Id: 33/6



Brechel Electronic
 Industrial Interface Solutions
 Designed by Philipp Brechel (Germany)
www.be-iis.eu
contact@be-iis.eu

Sheet: /T1L Top/I2C_Pull-Up_EN1/
 File: I2C_Pull-Up_EN.kicad_sch

Title: Pi-HAT+: I2C Pull-up - switchable

Size: A4

Date: 2026-02-07

Rev: B - final

KiCad E.D.A. 10.0.1

Id: 37/6