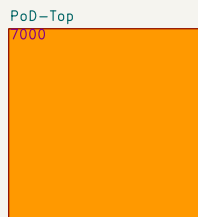


# BE-IIS-HAT++MODBUS-I2C-Rev.B

## Brechel Electronic

### Industrie Interface Solutions

[www.be-iis.eu](http://www.be-iis.eu)



File: PoD-Top.kicad\_sch

**Brechel Electronic**  
Industrial Interface Solutions  
Designed by Philipp Brechel (Germany)  
[www.be-iis.eu](http://www.be-iis.eu)  
[contact@be-iis.eu](mailto:contact@be-iis.eu)

Sheet: /  
File: BRECHEL\_HAT\_PoSPE.kicad\_sch

**Title: Pi-HAT+: PoSPE**

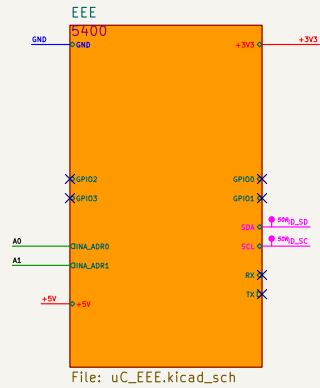
Size: A4 Date: 2026-03-27

KiCad E.D.A. 10.0.1

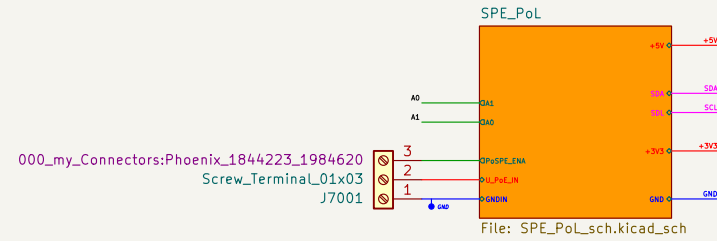
Rev: B

Id: 1/4

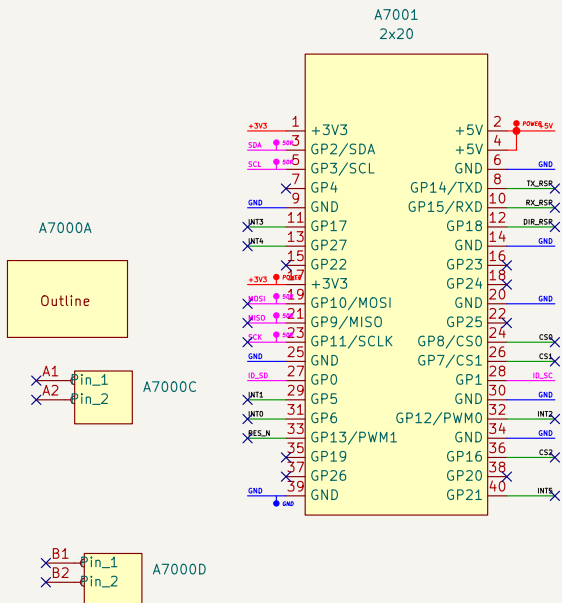
# HAT+ EEprom



# PoSPE



# Pi Pinout



**Brechel Electronic**  
**Industrial Interface Solutions**  
**Designed by Philipp Brechel (Germany)**  
[www.be-iis.eu](http://www.be-iis.eu)  
[contact@be-iis.eu](mailto:contact@be-iis.eu)

Sheet: /PoD-Top/  
 File: PoD-Top.kicad\_sch

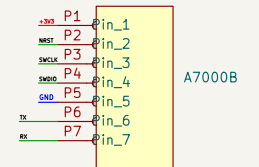
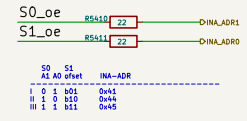
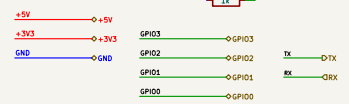
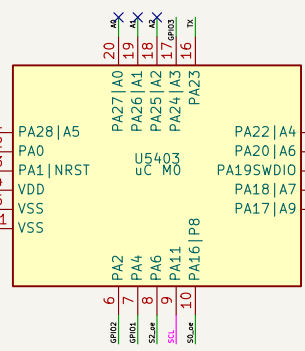
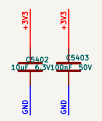
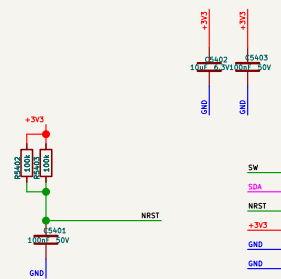
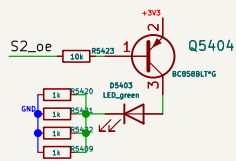
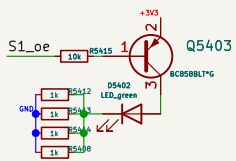
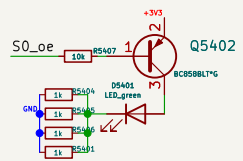
**Title: Pi-HAT+: PoSPE**

Size: A4 Date: 2026-03-27

KiCad E.D.A. 10.0.1

Rev: B

Id: 13/4



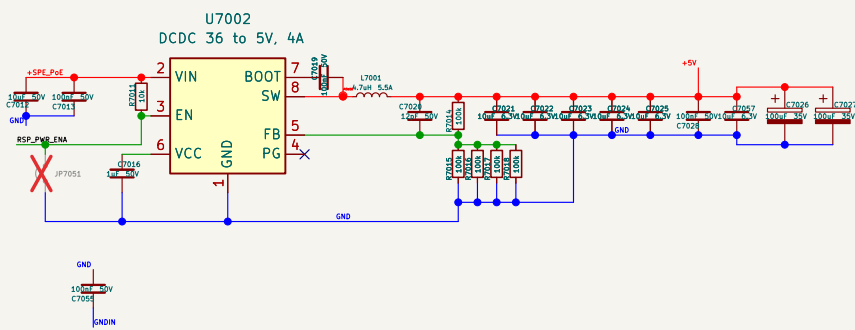
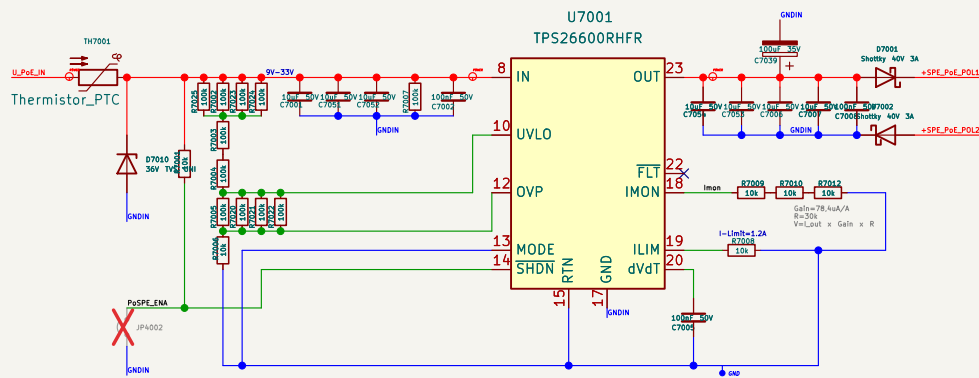
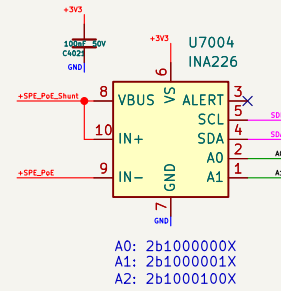
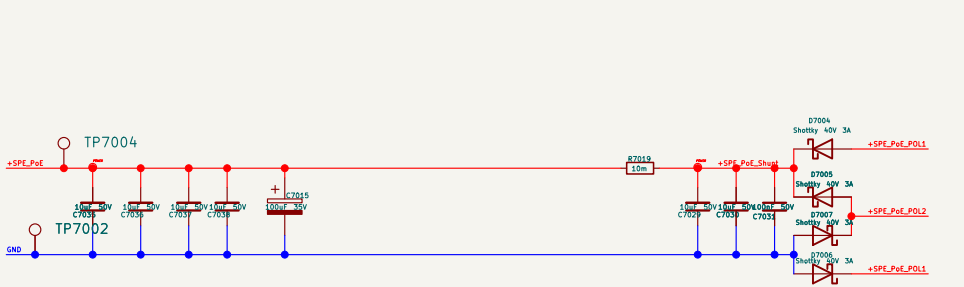
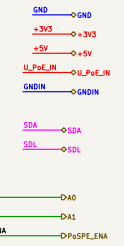
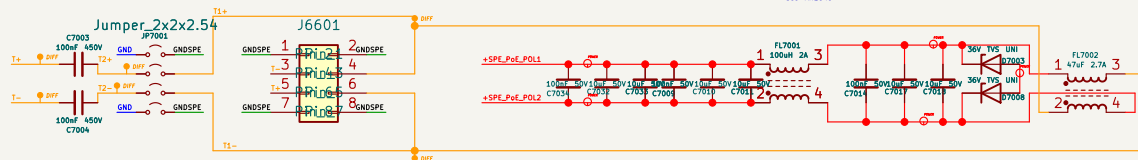
**Brechel Electronic**  
**Industrial Interface Solutions**  
 Designed by Philipp Brechel (Germany)  
[www.be-iis.eu](http://www.be-iis.eu)  
[contact@be-iis.eu](mailto:contact@be-iis.eu)

Sheet: /PoD-Top/EEE/  
 File: uC\_EEE.kicad\_sch

**Title:**

Size: A4 Date: 2026-03-27  
 KiCad E.D.A. 10.0.1

Rev: B  
 Id: 2/4



**Brechel Electronic**  
**Industrial Interface Solutions**  
 Designed by Philipp Brechel (Germany)  
[www.be-iis.eu](http://www.be-iis.eu)  
[contact@be-iis.eu](mailto:contact@be-iis.eu)

Sheet: /PoD-Top/SPE\_PoL/  
 File: SPE\_PoL\_sch.kicad\_sch

**Title: Pi-HAT+; PoSPV**

Size: A4 Date: 2026-03-27  
 KiCad E.D.A. 10.0.1

Rev: B  
 Id: 7/4