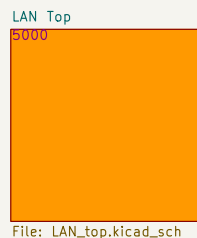


BE-IIS-HAT++LAN-Rev.B

Brechel Electronic

Industrie Interface Solutions

www.be-iis.eu



Brechel Electronic
Industrial Interface Solutions
Designed by Philipp Brechel (Germany)

Sheet: /
File: BRECHEL_HAT_LAN.kicad_sch

Title: Pi-HAT+: LAN

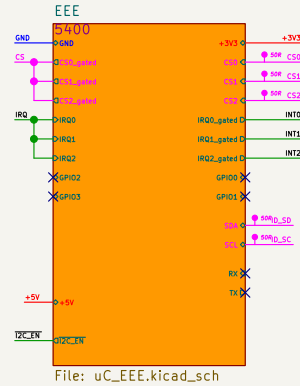
Size: A4 Date: 2026-3-25

KiCad E.D.A. 10.0.1

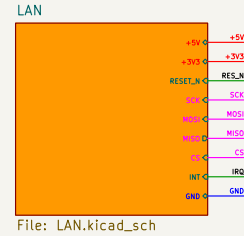
Rev: B

Id: 1/6

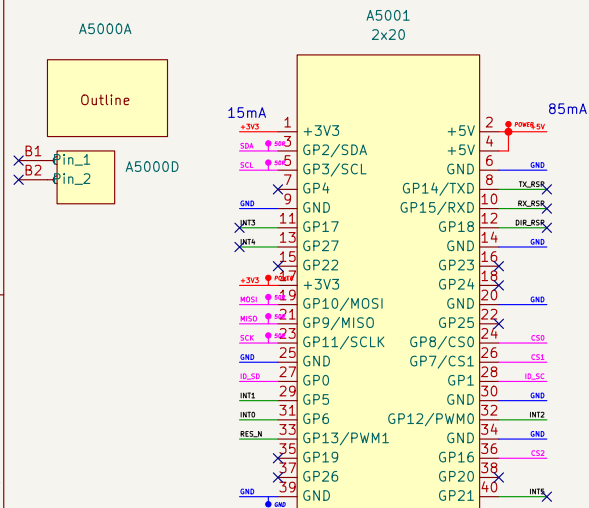
HAT+ EEprom



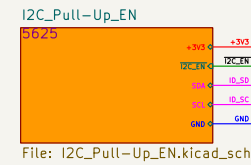
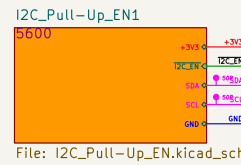
LAN



Pi Pinout



Pul-ups



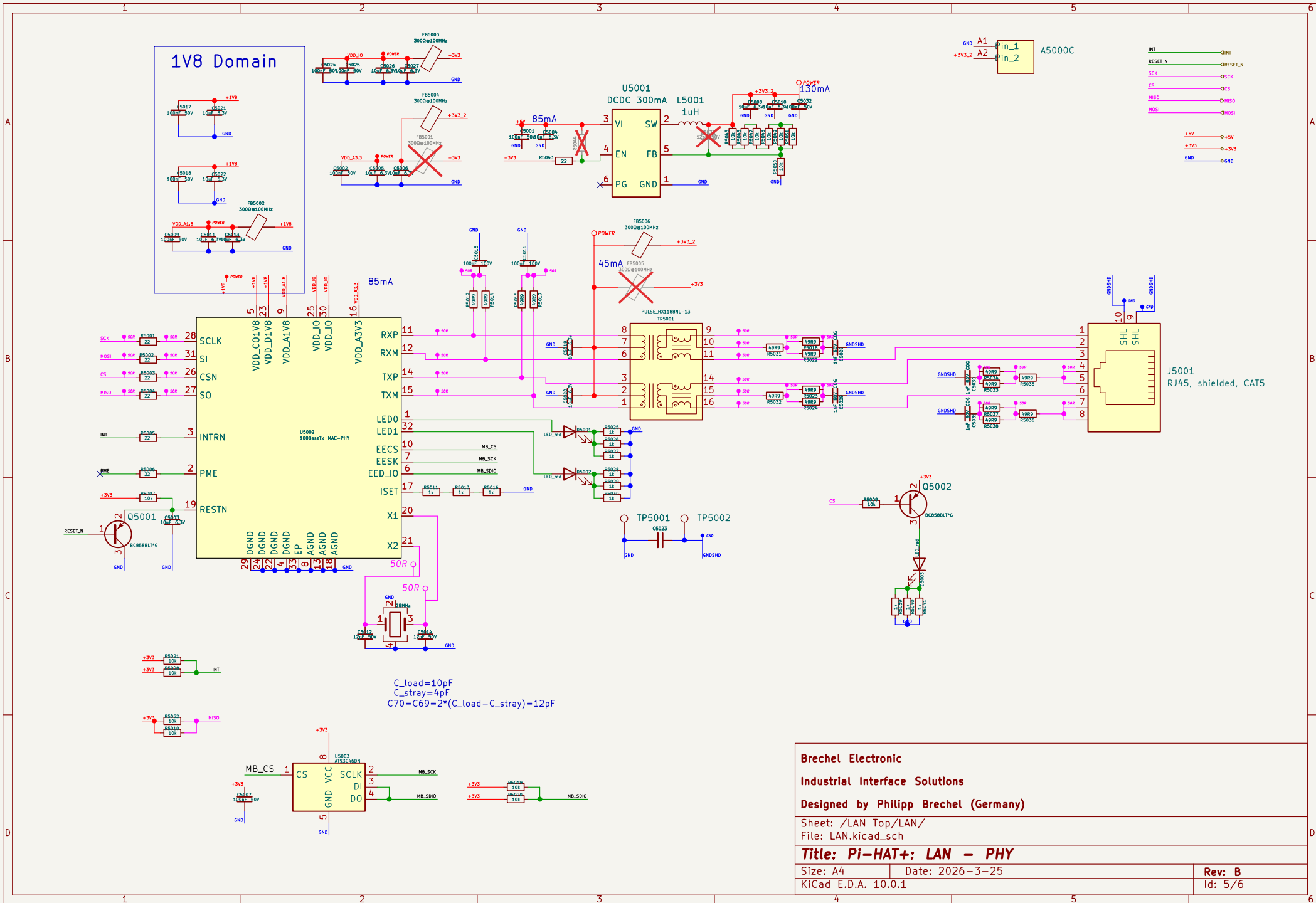
Brechel Electronic
Industrial Interface Solutions
Designed by Philipp Brechel (Germany)

Sheet: /LAN Top/
 File: LAN_top.kicad_sch

Title: Pi-HAT+: LAN

Size: A4 Date: 2026-3-25
 KiCad E.D.A. 10.0.1

Rev: B
 Id: 10/6



$C_{load} = 10\text{pF}$
 $C_{stray} = 4\text{pF}$
 $C70 = C69 = 2 * (C_{load} - C_{stray}) = 12\text{pF}$

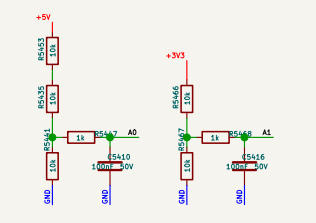
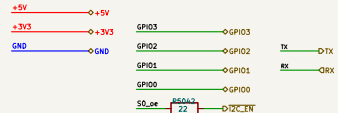
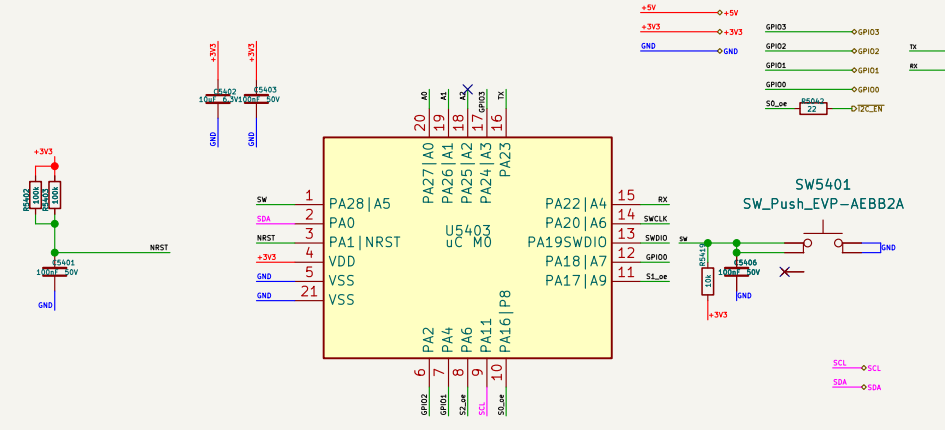
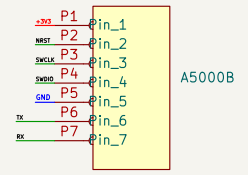
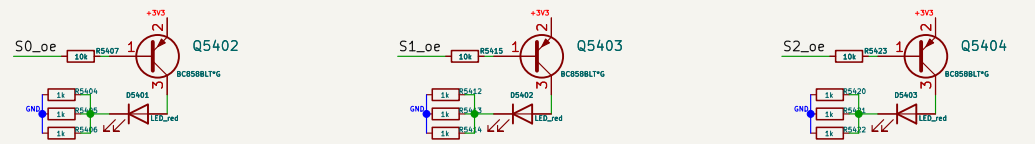
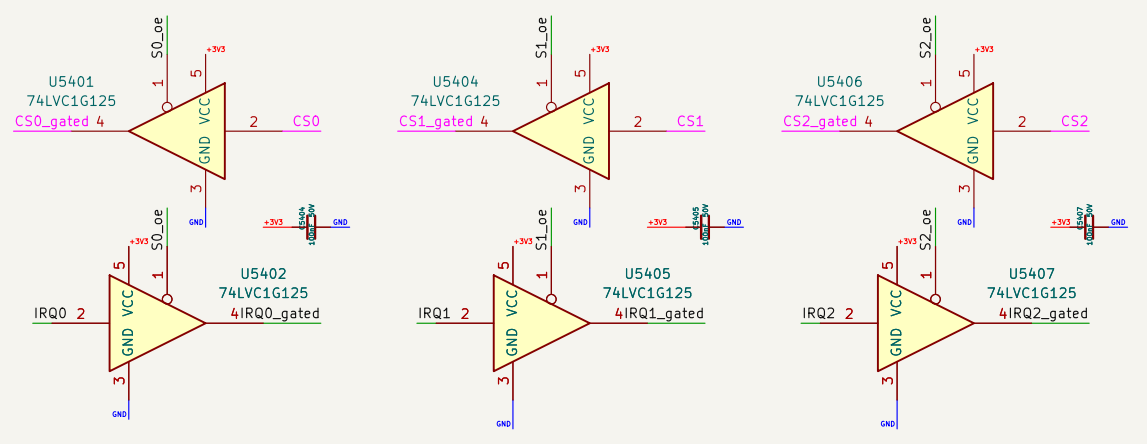
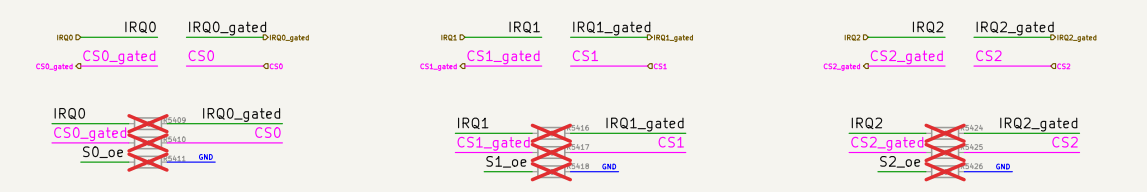
Brechel Electronic
Industrial Interface Solutions
Designed by Philipp Brechel (Germany)

Sheet: /LAN Top/LAN/
 File: LAN.kicad_sch

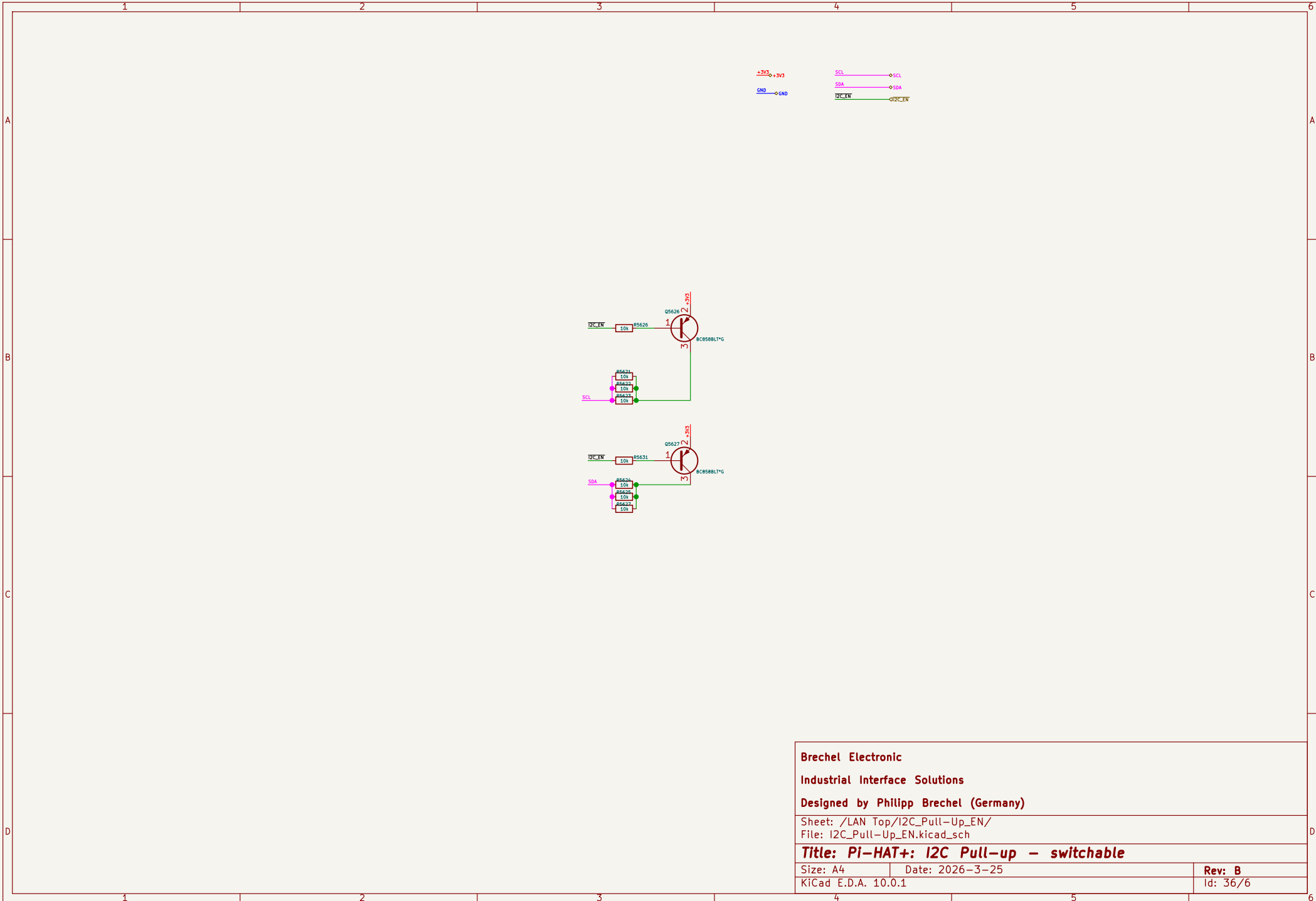
Title: Pi-HAT+: LAN - PHY

Size: A4 Date: 2026-3-25
 KiCad E.D.A. 10.0.1

Rev: B
 Id: 5/6



Brechel Electronic		
Industrial Interface Solutions		
Designed by Philipp Brechel (Germany)		
Sheet: /LAN Top/EEE/ File: uC_EEE.kicad_sch		
Title: Pi-HAT+; EEPROM-Emulation and SPI configuration		
Size: A4	Date: 2026-3-25	Rev: B
KiCad E.D.A. 10.0.1		Id: 16/6

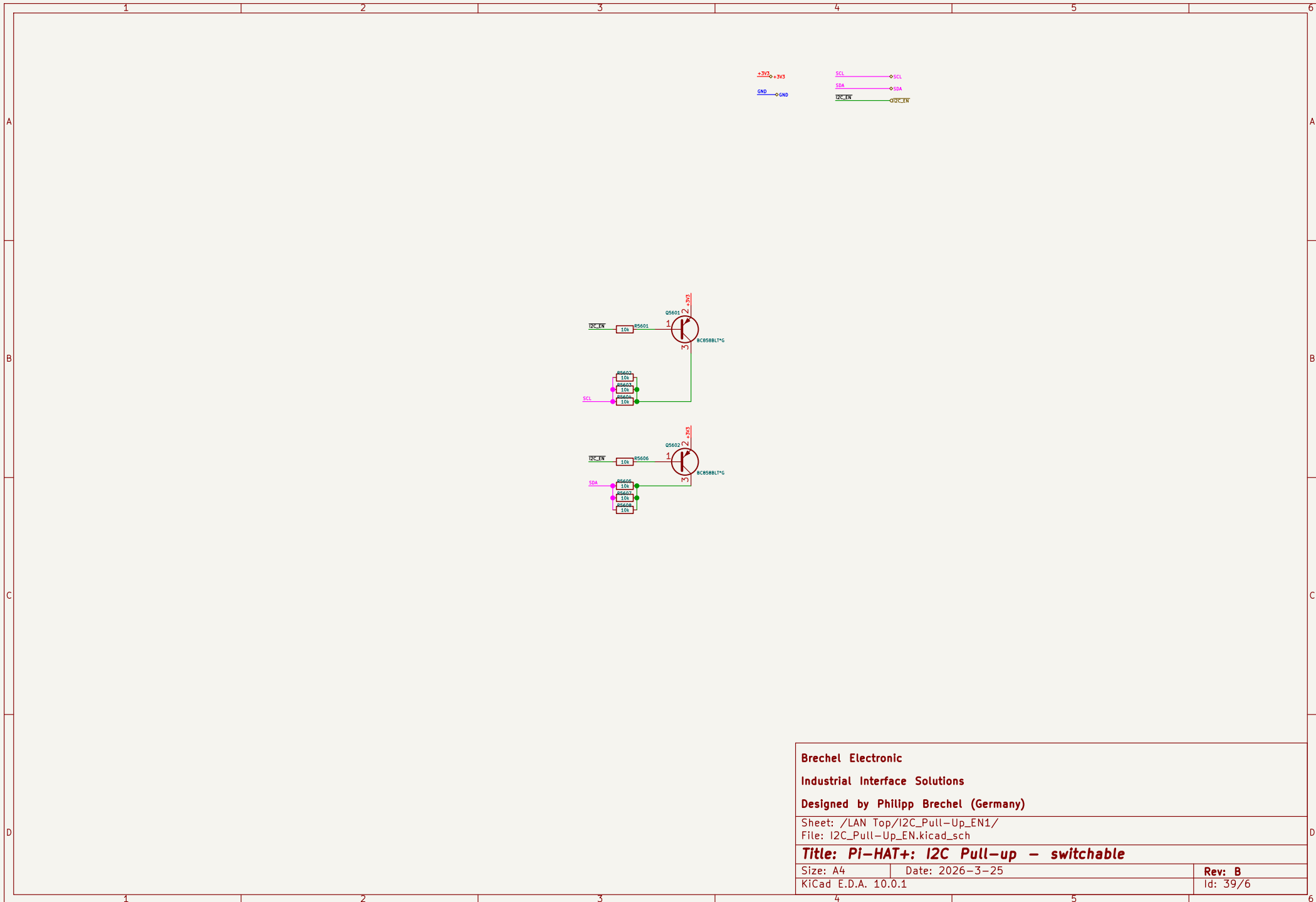


Brechel Electronic
Industrial Interface Solutions
Designed by Philipp Brechel (Germany)

Sheet: /LAN Top/I2C_Pull-Up_EN/
 File: I2C_Pull-Up_EN.kicad_sch

Title: Pi-HAT+: I2C Pull-up - switchable

Size: A4	Date: 2026-3-25	Rev: B
KiCad E.D.A. 10.0.1		Id: 36/6



Brechel Electronic

Industrial Interface Solutions

Designed by Philipp Brechel (Germany)

Sheet: /LAN Top/I2C_Pull-Up_EN1/

File: I2C_Pull-Up_EN.kicad_sch

Title: Pi-HAT+: I2C Pull-up - switchable

Size: A4

Date: 2026-3-25

Rev: B

KiCad E.D.A. 10.0.1

Id: 39/6