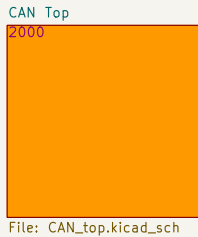


BE-IIS-HAT++CAN-FD-SIC-Rev.B

Brechel Electronic

Industrie Interface Solutions

www.be-iis.eu



Brechel Electronic
Industrial Interface Solutions
Designed by Philipp Brechel (Germany)
www.be-iis.eu
contact@be-iis.eu

Sheet: /
File: BRECHEL_HAT_CAN.kicad_sch

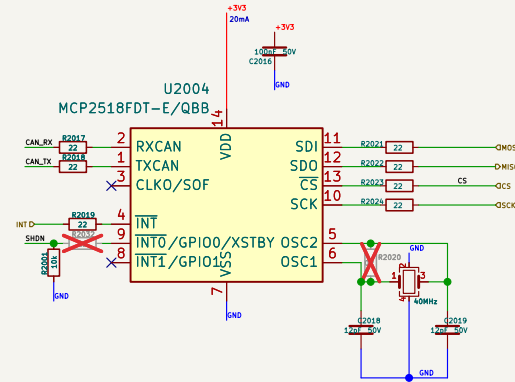
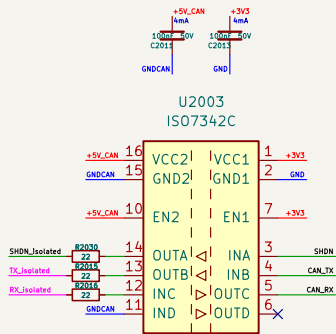
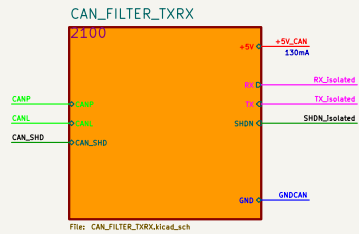
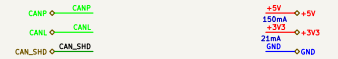
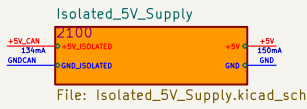
Title: Pi-HAT+: CAN-FD-SIC

Size: A4 Date: 2026-03-25

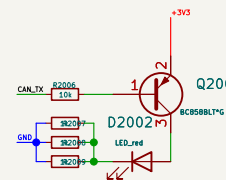
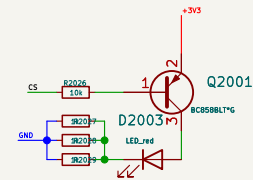
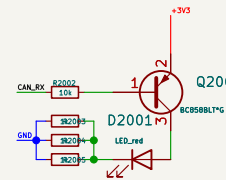
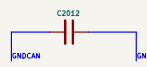
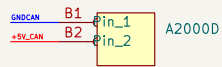
KiCad E.D.A. 10.0.1

Rev: B - final

Id: 1/8



$C70 = C69 = 2 * (C_{load} - C_{stray}) = 12pF$
 $C_{load} = 15pF$
 $C_{stray} = 9pF$



Brechel Electronic
Industrial Interface Solutions
Designed by Philipp Brechel (Germany)
www.be-iis.eu
contact@be-iis.eu

Sheet: /CAN Top/CAN_ISOLATED_SPI/
 File: CAN_ISOLATED_SPI_sch.kicad_sch

Title: Pi-HAT+: CAN-FD-SIC

Size: A4 Date: 2026-03-25

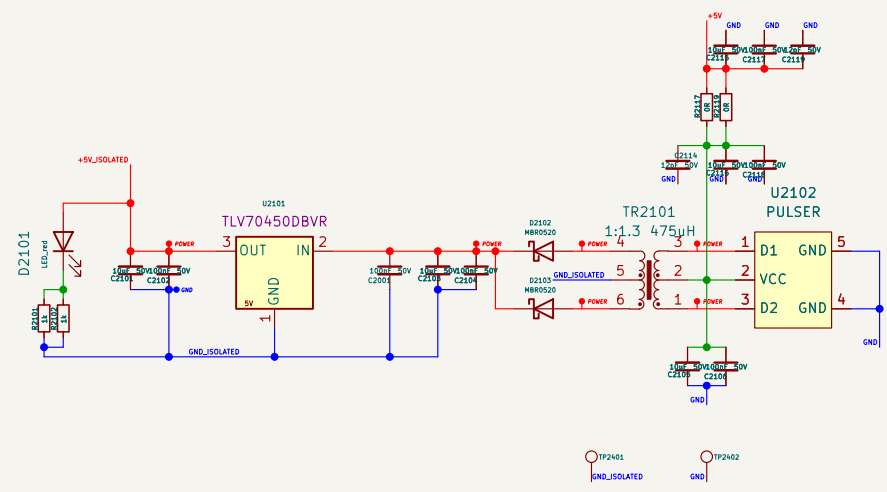
KiCad E.D.A. 10.0.1

Rev: B - final

Id: 2/8

+5V_ISOLATED -> +5V_ISOLATED
 GND_ISOLATED -> GND_ISOLATED

GND -> GND
 +5V -> +5V



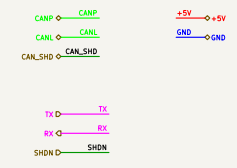
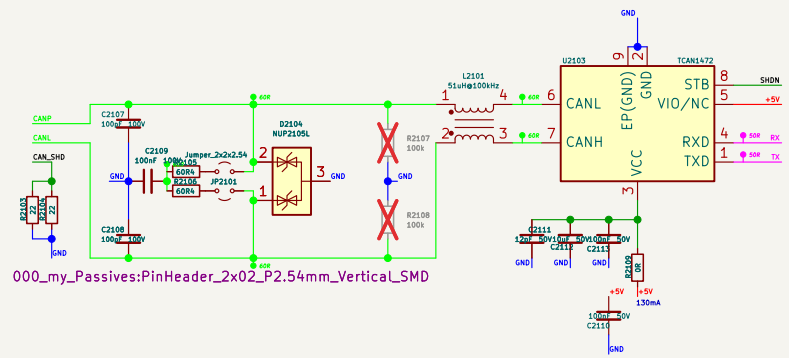
Brechel Electronic
 Industrial Interface Solutions
 Designed by Philipp Brechel (Germany)
 www.be-iis.eu
 contact@be-iis.eu

Sheet: /CAN_Top/CAN_ISOLATED_SPI/Isolated_5V_Supply/
 File: Isolated_5V_Supply.kicad_sch

Title: Pi-HAT+: isolated 5V supply

Size: A4 Date: 2026-03-25
 KiCad E.D.A. 10.0.1

Rev: B - final
 Id: 27/8

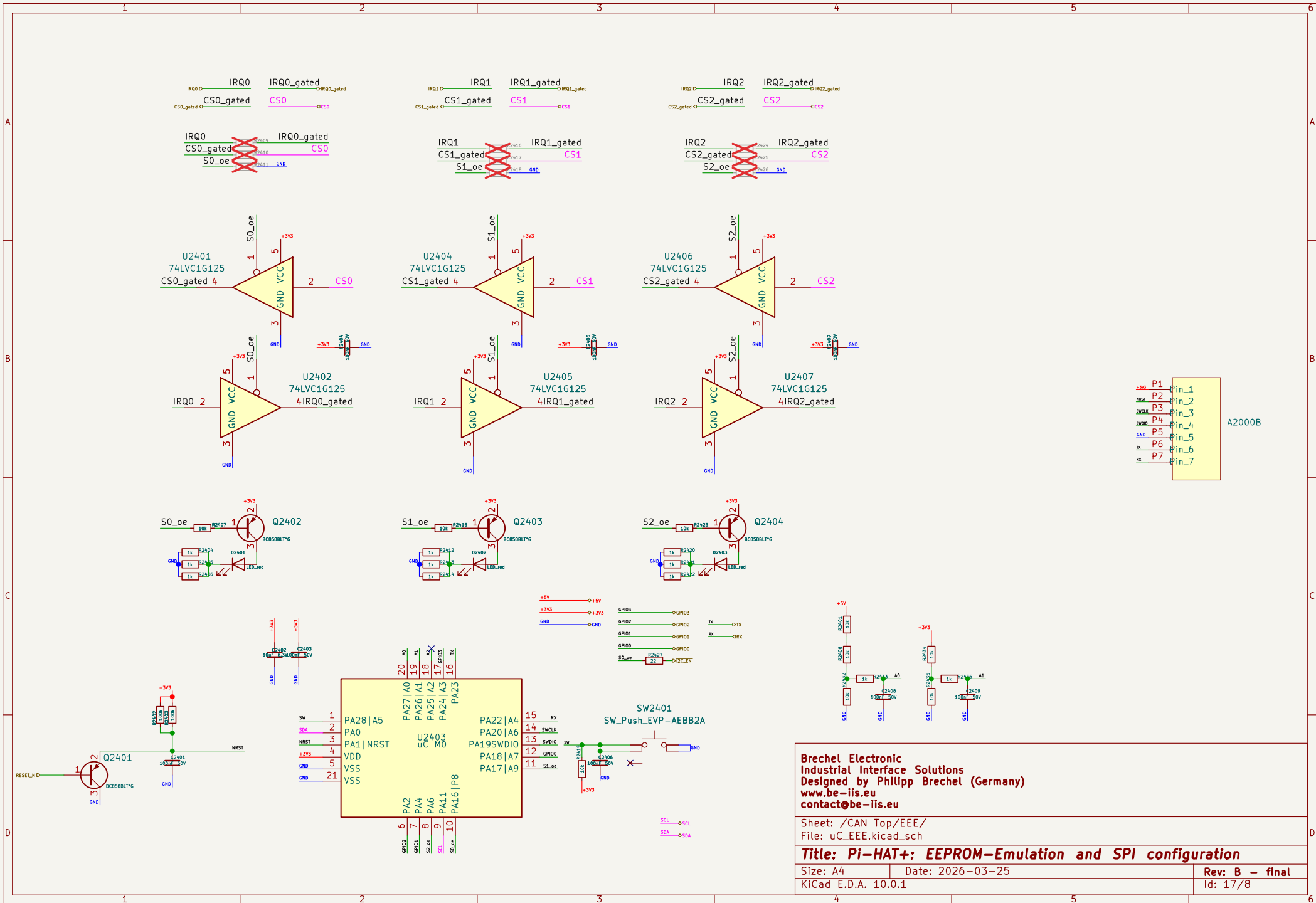


Brechel Electronic
 Industrial Interface Solutions
 Designed by Philipp Brechel (Germany)
www.be-iis.eu
contact@be-iis.eu

Sheet: /CAN_Top/CAN_ISOLATED_SPI/CAN_FILTER_TXRX/
 File: CAN_FILTER_TXRX.kicad_sch

Title: Pi-HAT+: CAN - PHY

Size: A4	Date: 2026-03-25	Rev: B - final
KiCad E.D.A. 10.0.1		Id: 28/8

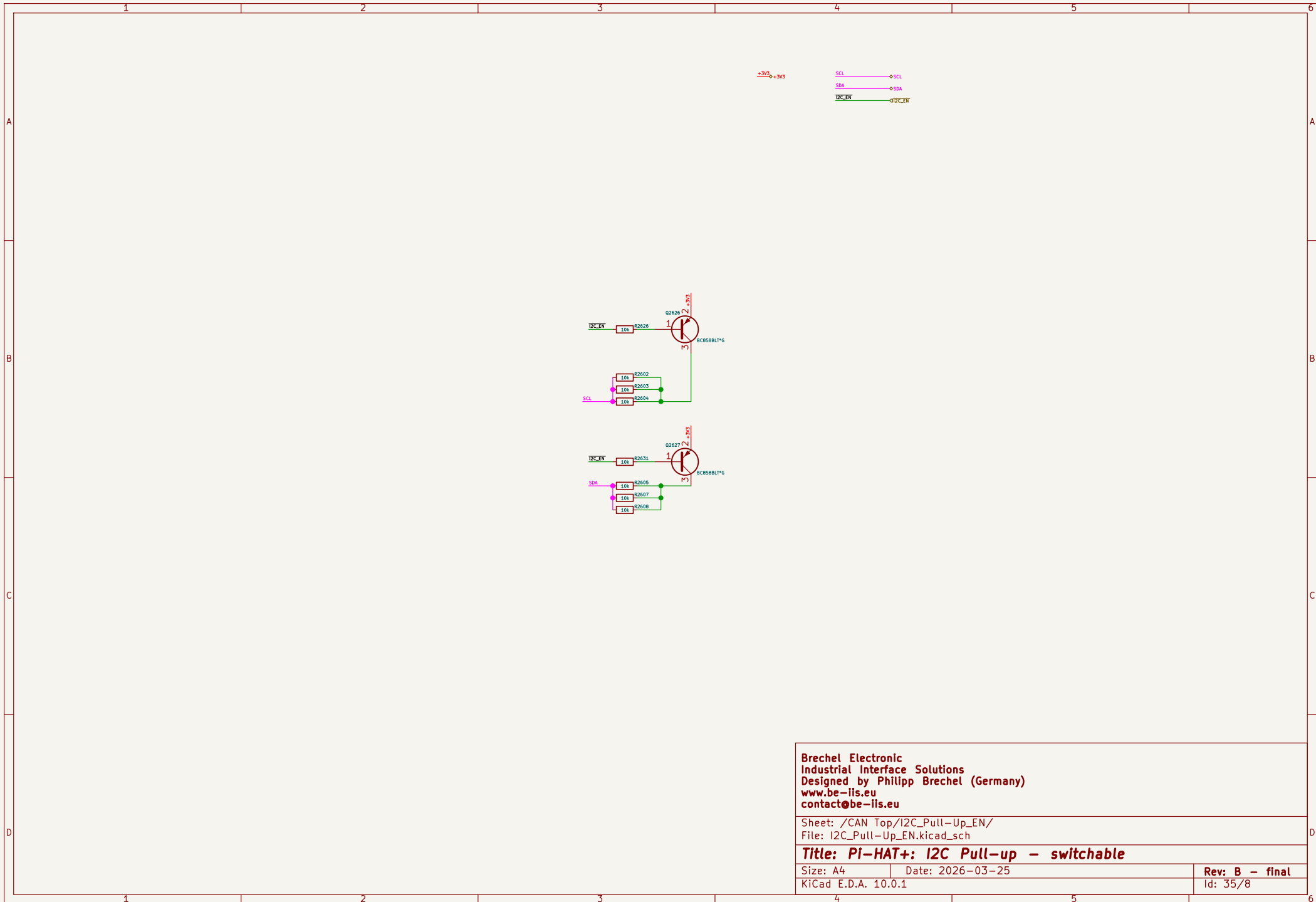


Brechel Electronic
 Industrial Interface Solutions
 Designed by Philipp Brechel (Germany)
www.be-iis.eu
contact@be-iis.eu

Sheet: /CAN Top/EEE/
 File: uC_EEE.kicad_sch

Title: Pi-HAT+; EEPROM-Emulation and SPI configuration

Size: A4	Date: 2026-03-25	Rev: B - final
KiCad E.D.A. 10.0.1		Id: 17/8

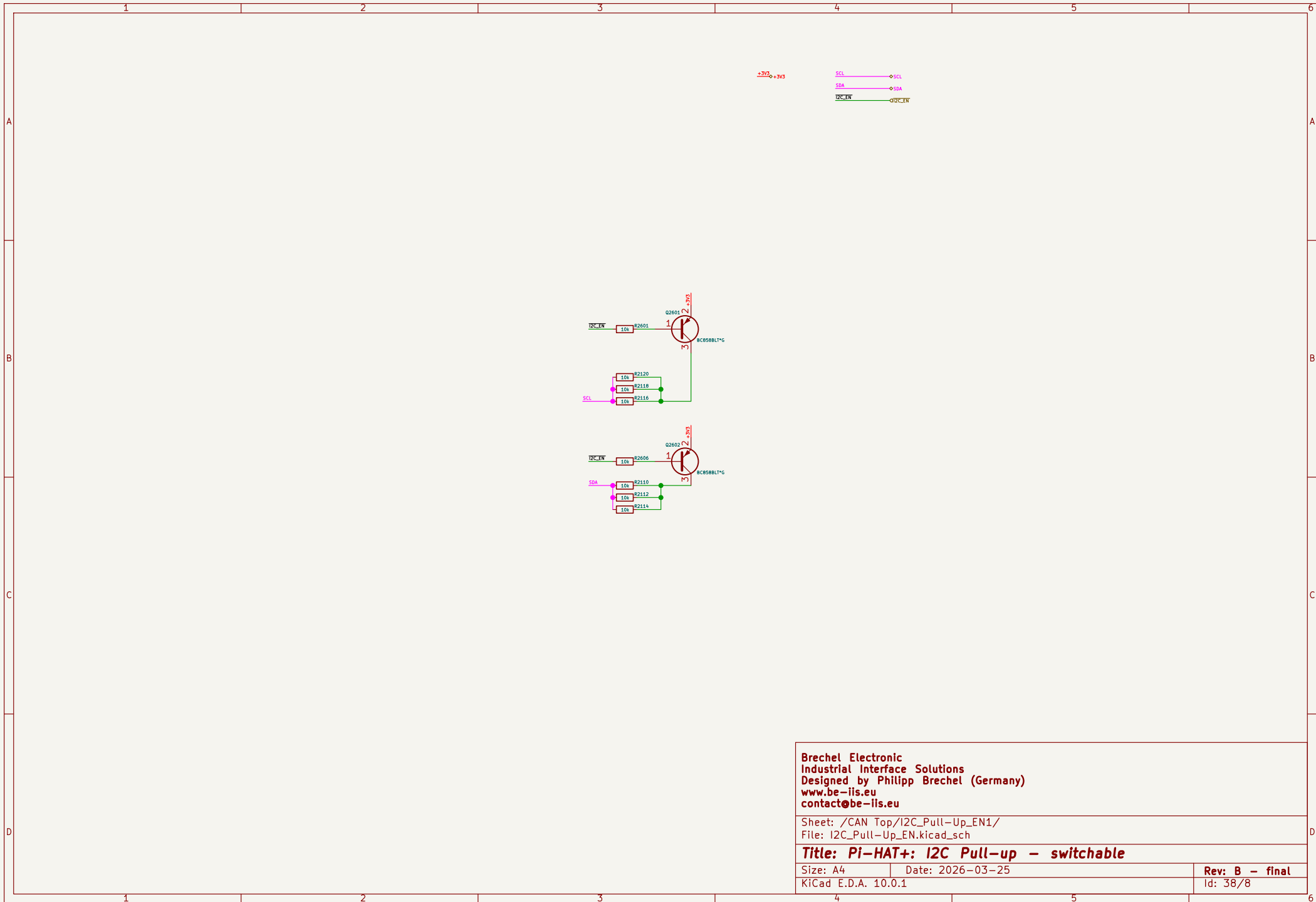


Brechel Electronic
Industrial Interface Solutions
 Designed by Philipp Brechel (Germany)
www.be-iis.eu
contact@be-iis.eu

Sheet: /CAN Top/I2C_Pull-Up_EN/
 File: I2C_Pull-Up_EN.kicad_sch

Title: Pi-HAT+: I2C Pull-up - switchable

Size: A4	Date: 2026-03-25	Rev: B - final
KiCad E.D.A. 10.0.1		Id: 35/8



Brechel Electronic
Industrial Interface Solutions
 Designed by Philipp Brechel (Germany)
www.be-iis.eu
contact@be-iis.eu

Sheet: /CAN Top/I2C_Pull-Up_EN1/
 File: I2C_Pull-Up_EN.kicad_sch

Title: Pi-HAT+: I2C Pull-up - switchable

Size: A4	Date: 2026-03-25	Rev: B - final
KiCad E.D.A. 10.0.1		Id: 38/8